

alber

**Schieben und Bremsen
leicht gemacht**

viamobil®

Gebrauchsanweisung

DE

User manual

GB/US

Instructions d'utilisation

FR

Kullanma talimatı

TR

Istruzioni per l'uso

IT

Brugsvejledning

DK

Gebruiksaanwijzing

NL

Bruksanvisning

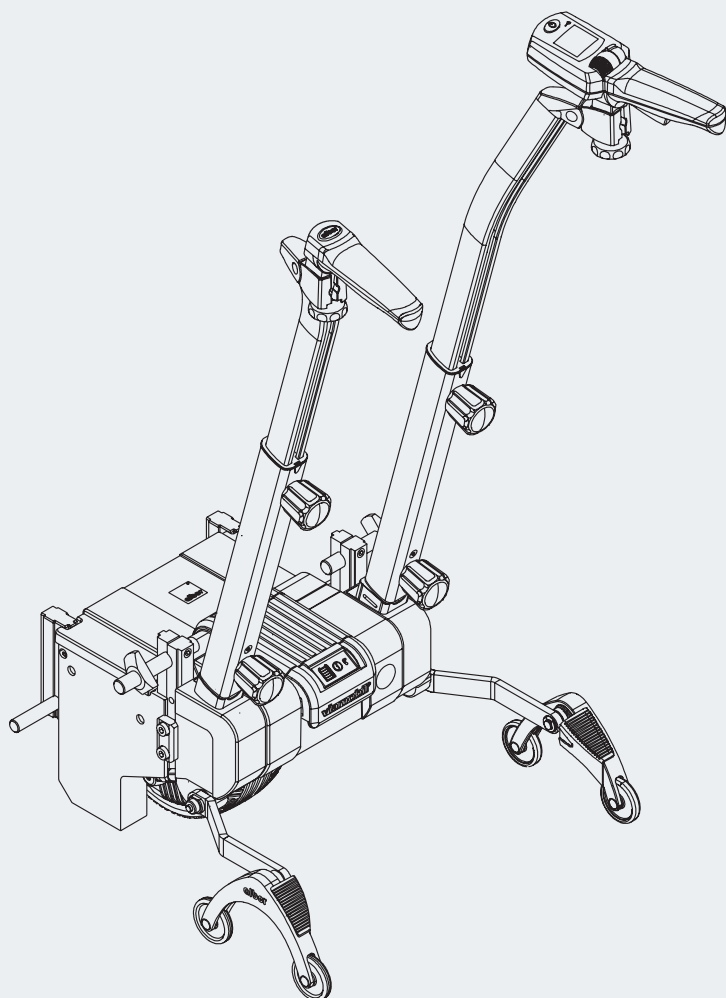
NO

Instruktionsbok

SE

Käyttöohjeet

FI



CE

Service Center (Deutschland)

Montag bis Donnerstag von

8.00 - 18.00 Uhr

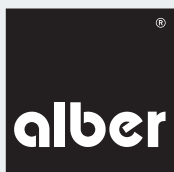
Freitags von

8.00 - 16.00 Uhr

erreichbar unter

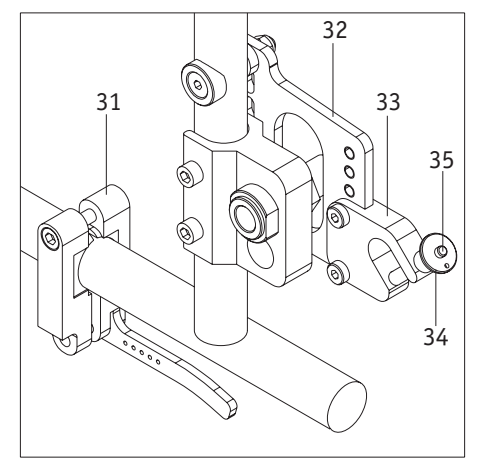
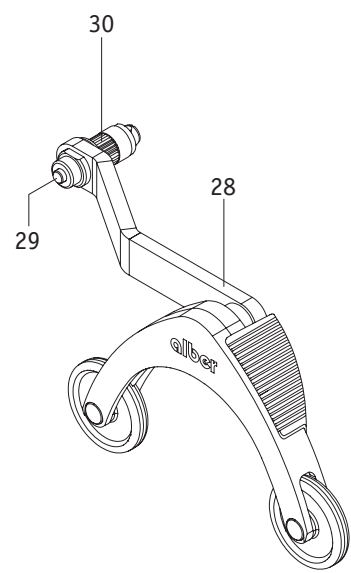
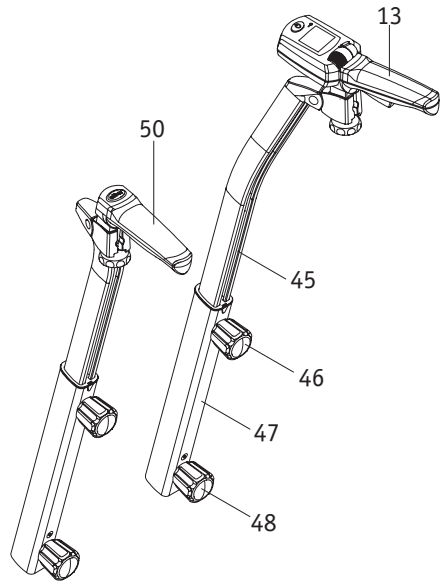
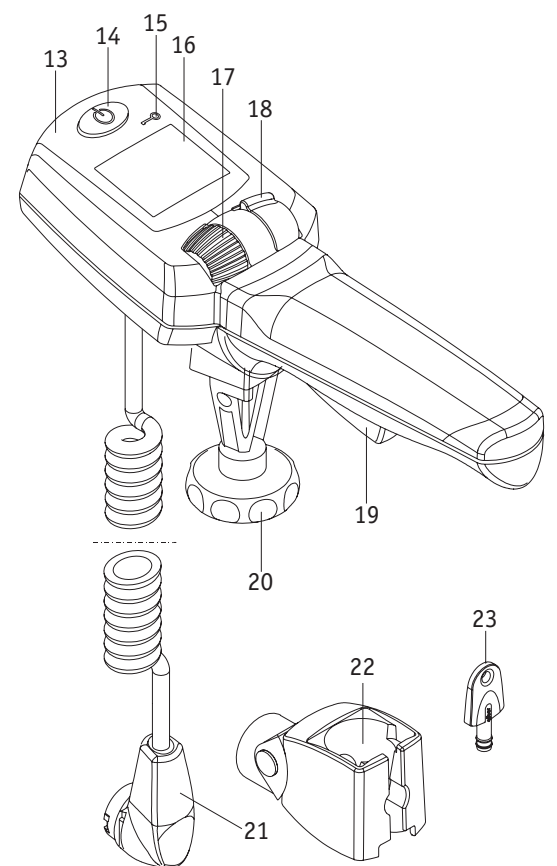
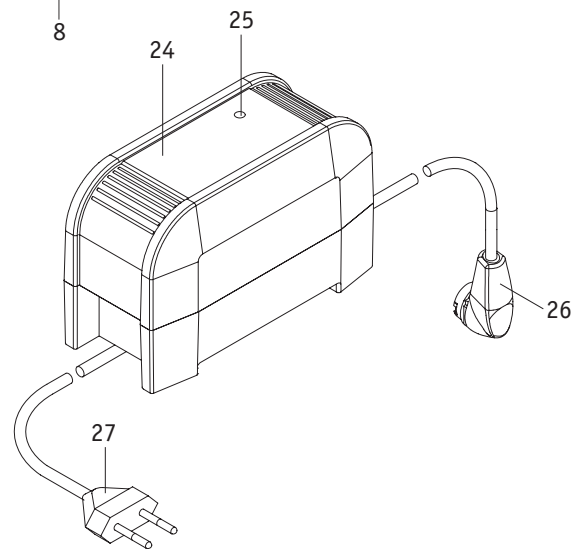
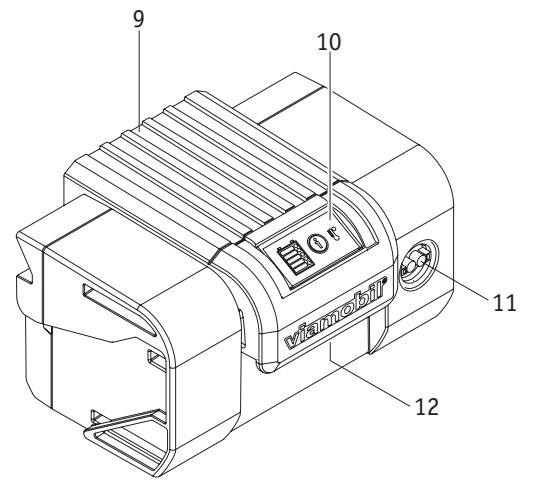
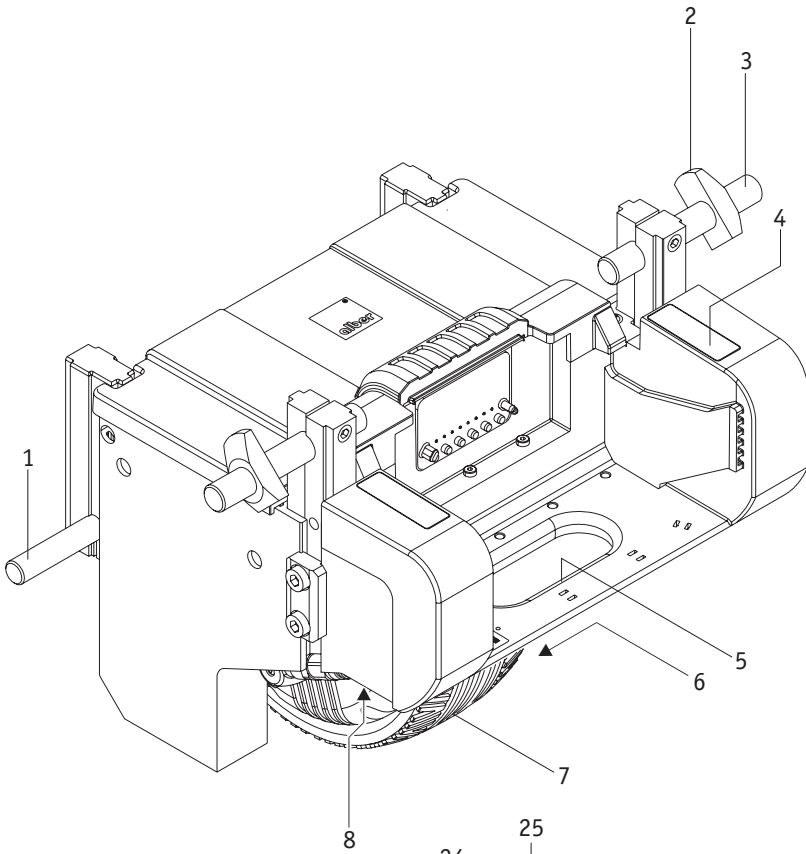
Telefon (0800) 9096-250

(gebührenfrei)



Das viamobil ist klassifiziert
als Gerät Typ B.





Contents		
1. Introduction	2	6. Control unit 25
1.1 Important safety notes– please observe carefully at all times	2	6.1 Display symbols 25
1.2 Proper use of the viamobil	2	6.2 Capacity indication on the control unit display 25
1.3 Permissible operating conditions/locations of operation	3	6.3 Display of the selected maximum speed 26
1.4 Standard scope of delivery	3	6.4 Warnings 26
1.5 Optional accessories	3	6.5 Error indicators 27
1.6 The main elements at a glance	4	
2. Start-up and driving mode	5	7. Anti-tippers (optional accessories) 29
2.1 Attaching the viamobil to the wheelchair	6	7.1 Installing the Alber anti-tippers 29
2.2 Inserting the quickpins	7	7.2 Removing the Alber anti-tippers 29
2.3 Removing the quickpins	7	
2.4 Inserting the battery pack	7	8. Additional push handles (optional accessories) 30
2.5 Attaching the control unit	8	8.1 Installing the additional push handles 30
2.6 Switching on the viamobil	9	8.2 Removing the additional push handles 30
2.7 Selecting the direction of travel	9	
2.8 Selecting the speed	10	9. Transport and storage 31
3. Driving mode	10	9.1 Using the viamobil as a vehicle seat in combination with a wheelchair 31
3.1 Starting to drive	10	9.2 Safety note regarding transport of the viamobil 31
3.2 Safety circuit	11	9.3 Safety instruction on how to hold the viamobil 32
3.3 Automatic brake engagement	11	9.4 Safety note regarding the electrical connections 32
3.4 Anti-theft protection	12	9.5 Storage 33
3.5 Downhill travel with the battery pack fully charged	12	
3.6 Traversing obstacles	13	10. Safety and hazard information 33
3.7 Manually engaging/disengaging the drive wheel (Emergency release)	14	10.1 Safety instructions 33
3.8 Switching off the viamobil	15	10.2 Obstacles 34
		10.3 Danger areas and hazardous situations 35
4. Removing the viamobil from the wheelchair	16	
4.1 Disconnecting the control unit	16	11. Maintenance, care and disposal 35
4.2 Removing the viamobil from the wheelchair	17	11.1 Charging the battery pack 35
4.3 Detaching the battery pack	18	11.2 Cleaning and disinfection instructions 36
4.4 Removing the viamobil from the wheelchair	18	11.3 Disposal 37
		11.4 Re-use 37
5. Battery pack	19	11.5 Maintenance 37
5.1 Charging the battery pack	19	
5.2 Capacity indication on the battery pack display	21	12. Warranty and liability 37
5.3 Temperature indicator	21	12.1 Warranty for defects 37
5.4 Safety and warning notices regarding the battery pack	22	12.2 Guarantee of durability 37
5.5 Safety and warning notices on how to store the battery pack	22	12.3 Liability 38
5.6 Safety and warning notices on how to transport and ship the battery pack	23	
5.7 Safety and warning notices regarding the charger	24	13. Technical data 39



1. Introduction

1.1 Important safety notes– please observe carefully at all times

The viamobil is a push and braking aid to be used exclusively by the person accompanying the wheelchair user. The viamobil must under no circumstances be used as an electric drive system by the wheelchair user alone.

For safety reasons, the viamobil must only be operated by persons who

- have been instructed in its handling,
- are physically and mentally in a position to operate the device properly and according to the given operating conditions and situations.

The viamobil must not be operated by patients who are visually or acoustically impaired.

Instruction in the handling and operation of the device is included in the scope of delivery. Please contact your specialist dealer or an Alber agent to arrange for a training session. The instruction is free of charge.

If you feel a little unsure how to handle the viamobil, please contact your authorised dealer or Alber GmbH agent for advice.

While operating the viamobil, observe the specifications of the wheelchair manufacturer (e.g. maximum slope, air pressure of tyres, etc.), and strictly adhere to the operating instructions of the wheelchair. Never exceed any of the specified limit values.

Before using a mobile phone or similar device, always secure the wheelchair on level ground and switch off the viamobil. Avoid strong electromagnetic fields (for example, near large electric motors), as they may interfere with the viamobil.

In rare cases, the operation of the viamobil may interfere with other electrical devices such as anti-shoplifting barriers in department stores.

2



Therefore, do not start the viamobil before you have been properly instructed in its operation by an authorised specialist dealer or an agent of Alber GmbH!

1.2 Proper use of the viamobil

The viamobil is an add-on drive attached to a manually operated wheelchair to assist the attendant of a wheelchair user in pushing the wheelchair. It thus enables people to take long drives without tiring as the effort for pushing and braking is greatly reduced. The electric motor of the viamobil makes it easy to push the wheelchair up a slope. When travelling down a slope, the viamobil reduces the speed to the set level, which makes operation of the wheelchair safer even on steep slopes.

It is forbidden to make any technical modifications to the device. Do not attach any parts other than accessories approved by Alber GmbH for operation with the device. The viamobil must only be operated under the following conditions:

- Full compliance with the information, instructions, and recommendations contained in this operating manual.
- The device is operated by a person who has been instructed in its use.
- No technical modifications have been made to the device by the user or by any third party.
- While the viamobil is in use, the arms of the person sitting in the wheelchair must not project over the armrests of the wheelchair.

A trained operator is a person who has been instructed in the operation of the viamobil and in related tasks and who has been made aware of the possible hazards associated with the improper use of the device. The instruction session is provided by the authorised dealer or by an agent of Alber GmbH. The operation of the viamobil by non-instructed or unqualified persons is strictly prohibited.

The viamobil must not be used for transportation tasks that contravene the intended use of the device. This applies in particular to any types of load transport such as the transport of household objects by means of a wheelchair plus viamobil.

The use of the viamobil for any of the following purposes is deemed improper by Alber GmbH:

- Use or operation of the device that contravenes the instructions and recommendations in this operating manual.
- Exceedance of the technical limits laid down in this operating manual.
- Technical modifications to the device.
- Attachment and/or use of parts and accessories that have not been supplied or approved by Alber GmbH.

Damage resulting from

- using the device improperly or
- use by a person who has not been instructed in the handling of the device

shall not be deemed by Alber GmbH as part of the company's liability.

While the viamobil is in use, the person sitting in the wheelchair must remain still. Please note that their specific condition may cause some patients to move in an uncoordinated manner. Stop using the device in these cases until the patient has settled down.

The person operating the device should be capable at all times to react to such sudden movements of the person being conveyed. It is, therefore, up to the person operating the viamobil to decide whether a person can be safely transported on the device.



In order to avoid injuries, the operator of the viamobil must wear sturdy footwear. Under no circumstances should the operator wear open sandals, slippers or similar footwear when operating the viamobil. Use of the viamobil by a barefoot operator is also prohibited.



Before using the device, carefully read all safety and hazard information contained in the individual chapters of this operating manual.



The viamobil fitted to the wheelchair is only intended for transporting persons with restricted mobility and must not be misused, for example by children playing with it or by transporting goods.

1.3 Permissible operating conditions/locations of operation

The viamobil must only be used at ambient temperatures between -25°C and +50°C.

Observe the permissible operating conditions of the wheelchair to which the viamobil is attached (see wheelchair manual). Any limits regarding the operation of the wheelchair (e.g. maximum climbing capability, maximum permissible height of obstacles, max. load, etc.) must also be observed during the use of the viamobil!

Avoid using the wheelchair on soft ground (e.g. loose chipping, sand, mud, snow, ice or deep puddles).

Observe the safety and hazard information provided in the individual chapters of the operating manual.

1.4 Standard scope of delivery

- Drive unit
- Control unit
- Automatic charger
- Battery pack
- Operating instructions

1.5 Optional accessories

- Anti-tippers
- Additional push handles

We recommend using only original accessories supplied by Alber GmbH.

The viamobil is designed in such a way that best performance is achieved when using Alber original accessories. Alber GmbH shall not be liable for damage to the product or accidents (e.g. fire) caused by a malfunction of non-original accessories or spare parts (e.g. fire due to explosion of the battery pack, leaks, etc.). The warranty does not cover repairs for damage caused by the malfunction of non-original accessories. Alber GmbH will, however, carry out such repairs for you at a charge.

1.6 The main elements at a glance

(please fold out overview drawing in document cover)

Drive unit

Lower bolt	1
Mount	2
Upper bolt	3
Push handle holder	4
Carrying handle	5
Releasing device	6
Drive wheel	7
Holder for anti-tippers	8

Battery pack

Battery pack housing	9
Battery pack display	10
Automatic charger / control unit connection	11
Releasing device	12

Control unit

Control unit housing	13
ON/OFF button	14
Sensor field anti-theft protection	15
Display	16
Adjustment wheel for preselecting the speed	17
Driving direction switch	18
Driving lever	19
Locking wheel	20
Plug	21
Holder (on the wheelchair)	22
Key for anti-theft protection	23

Automatic charger

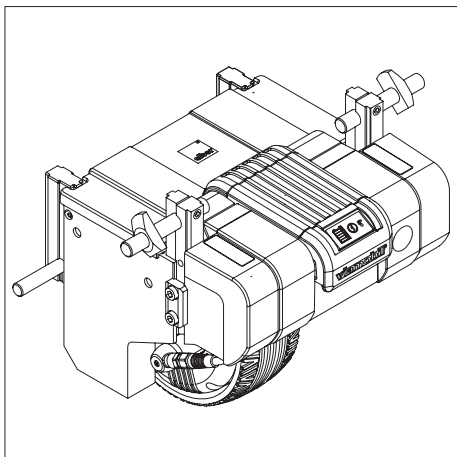
Automatic charger housing	24
LED display	25
Charging plug	26
Mains plug	27

Anti-tippers

Anti-tipper, complete	28
Release button	29
Toothed section	30

On the wheelchair

Lower holder	31
Upper holder	32
Fork of the upper holder	33
Quickpin	34
Quickpin releasing device	35

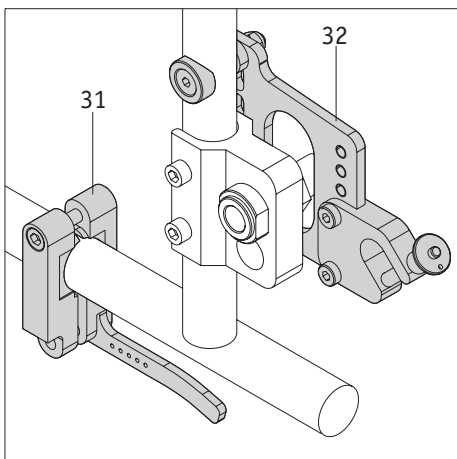


2. Start-up and driving mode

The Viamobil is supplied to you ready for operation. This means that

- special brackets ([31] and [32]) to which the Viamobil is attached have been mounted on either side of the wheelchair,
- the Viamobil has been fitted to the wheelchair,
- the Viamobil control unit [13] has been mounted on the push handles of the wheelchair or the additional push handles of the Viamobil, which are available as optional accessories,
- and, if necessary, anti-tippers have been attached to the wheelchair or the Viamobil (see chapter 7 for more information).

Your Viamobil is, thus, ready for operation and can be started and operated by following the instructions in the chapters contained in this operating manual and the instructions given in the free instruction session of your authorised dealer or an agent of Alber GmbH.



The installation of the brackets ([31] and [32]) on the wheelchair and all necessary adjustments to the Viamobil must be carried out by Alber GmbH, its agents or your authorised specialist dealer.



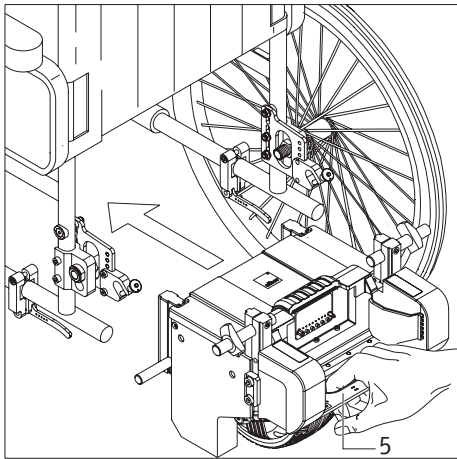
Regularly check the brackets ([31] and [32]) to ensure that they are firmly screwed to the wheelchair. If a screw connection has become loose, contact your specialist dealer or Alber agent to have it retightened. It may be necessary to readjust the device.



Alber provides brackets of various designs (single-part or multiple-part brackets). The bracket shown in the figures of this operating manual may, therefore, deviate from that attached to your bracket.



Follow the operating and safety instructions as well as the hazard information contained in this operating manual before putting your Viamobil into operation.



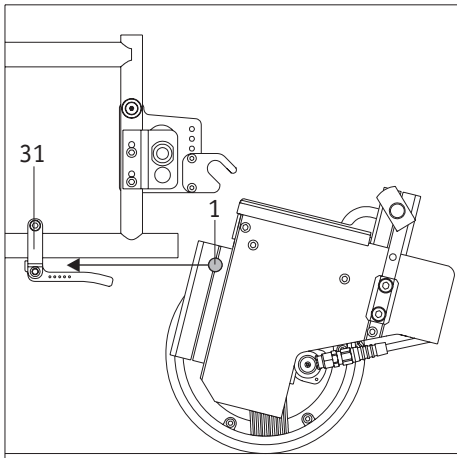
2.1 Attaching the viamobil to the wheelchair

- Make sure that both manual drive wheels have been properly attached to the wheelchair.
- Apply the parking brake of the wheelchair so that it cannot roll away.
- Remove the quickpins [34] if they are seated in both forks [33] (see chapter 2.3).
- Remove the battery pack [9] from the viamobil.
- Use the carrying handle [5] to slide the viamobil under the wheelchair as shown in the diagram.

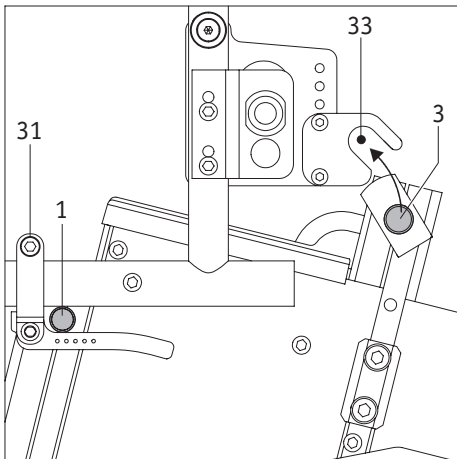


With the battery pack inserted:

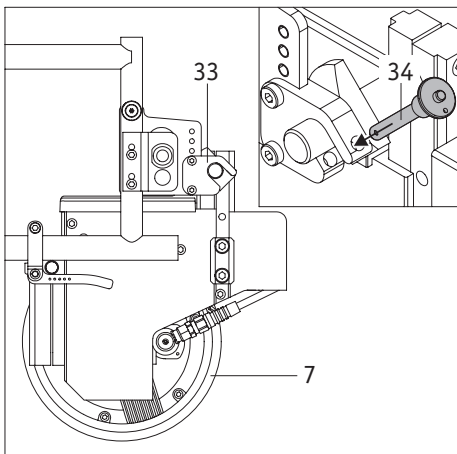
Do not grab the releasing device [12] of the battery pack to slide or lift the viamobil as this may cause the battery pack to come loose (see chapter 9.3).



- Slide the lower bolt [1] of the viamobil into the lower holder [31] on the wheelchair until it reaches the stop.

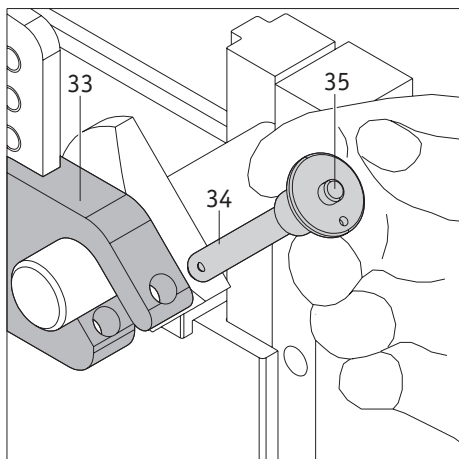


- Once the lower bolt [1] of the viamobil is fully seated in the lower holder [31], slightly lift up the viamobil. When doing so, make sure the upper bolt [3] on the viamobil is inserted in the fork [33] of the upper holder.



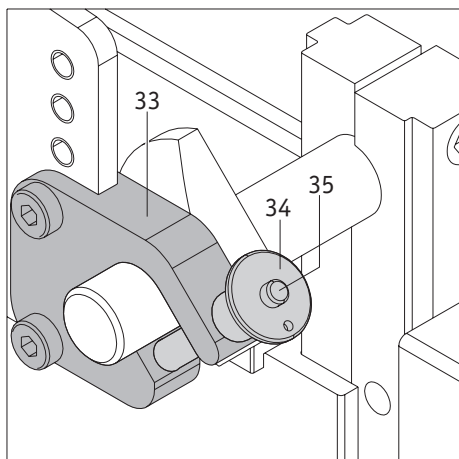
- Close the forks [33] on both sides with the quickpin [34] as soon as the upper bolt [3] of the viamobil is seated in the fork [33] (see also chapter 2.2).

The drive wheel [7] of the viamobil is now approx. 15 mm above the ground to allow the wheelchair to be moved manually if necessary and without the need to make use of the viamobil.



2.2 Inserting the quickpins

- Hold the quickpin [34] between your index and middle finger as shown in the diagram.
- Push in the releasing device [35] at the centre of the quickpin, using your thumb.
- Insert the quickpin through the upper bracket fully into the fork [33] until it reaches the stop.
- Release the releasing device [35]. The quickpin now locks the fork so that the upper bolt of the viamobil cannot become dislodged.



2.3 Removing the quickpins

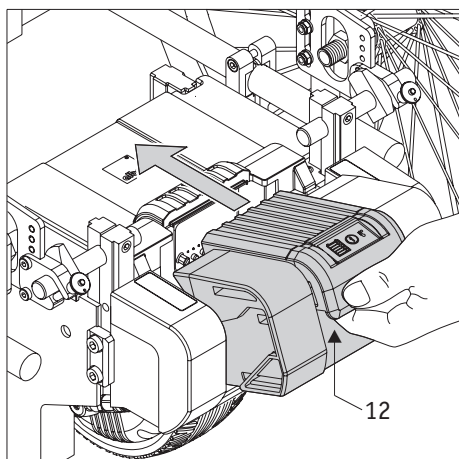
- Hold the quickpin [34] between your index and middle finger.
- Push in the releasing device [35] at the centre of the quickpin, using your thumb.
- Pull the quickpin from the fork [33] of the upper bracket.



Ensure that the quickpin cannot be inserted into or removed from the fork without pushing in the releasing device [35]. If it can be inserted or removed without pushing in the releasing device, the quickpin is defective and must be replaced without delay.



If one or both quickpins are defective or not properly locked in the forks, do not attempt to use the viamobil.



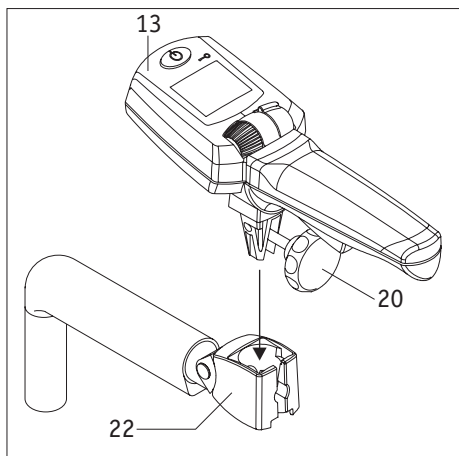
2.4 Inserting the battery pack

You can insert the battery pack when the viamobil is safely connected to the wheelchair as described in the previous chapter.

- Make sure the electrical connections on the viamobil and the battery pack are clean and do not contain any metal particles. If you detect such particles, use a dry and clean cloth to remove them.
- Hold the battery pack by its releasing device [12].
- Place the battery pack slightly slanted onto the holder of the viamobil as shown in the diagram.
- Release the battery pack. It will automatically slide forward and engage by magnetic force.



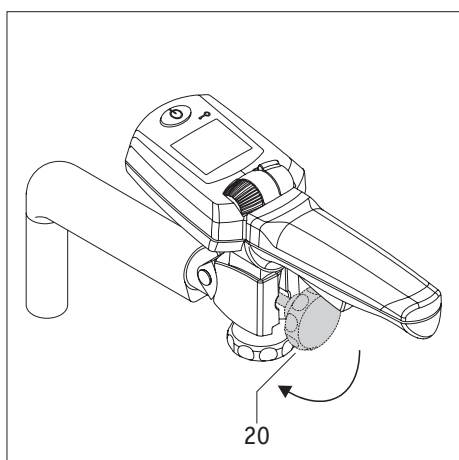
Protect the battery pack against humidity, moisture, heat and extreme cold.



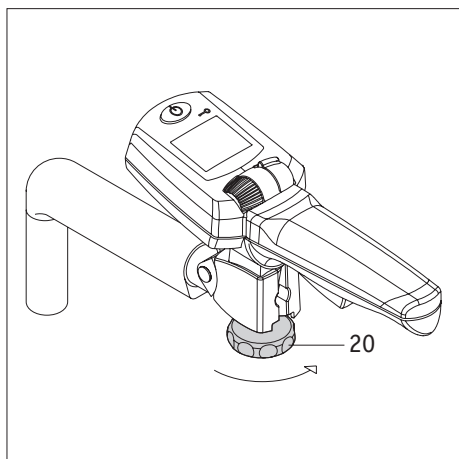
2.5 Attaching the control unit

Two holders [22] have been fitted to the push handles of your wheelchair which are used for the installation of the control unit [13] and one push handle. If the control unit [13] and the push handle have not yet been attached, proceed as described below.

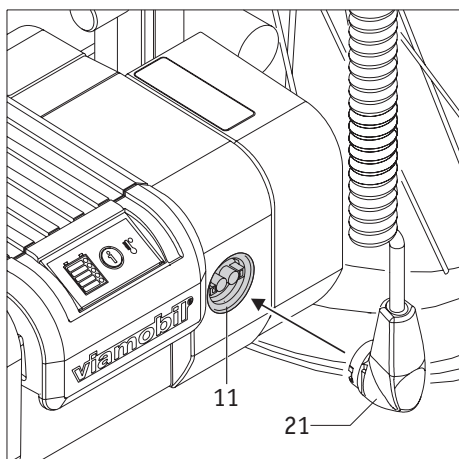
- Insert the control unit [13] into the holder [22] of the wheelchair.



- Fold down the locking wheel [20] by 90 degrees.



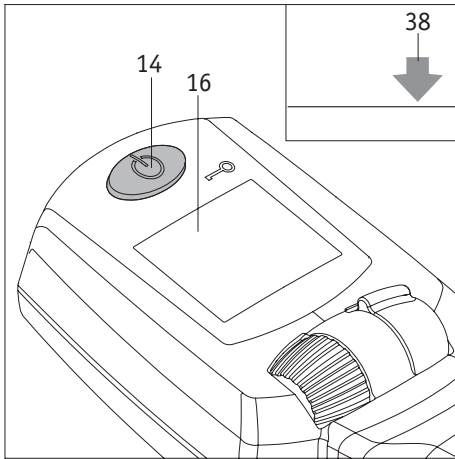
- Turn the locking wheel [20] clockwise until the control unit [13] is seated firmly in the holder [22].



- Insert the plug of the control unit [21] into the socket [11] on the battery pack. The connection is secured automatically and conveniently by magnetic force.



Make sure the plug of the control unit [21] and the socket [11] are clean and do not contain any metal particles. If you detect such particles, use a dry and clean cloth to remove them. For details, see chapter 12.2.



2.6 Switching on the viamobil

To switch on the viamobil, press and hold the ON/OFF button [14] for approx. 1 second. The button lights up green, the drive wheel [7] is extended until it reaches the floor, and an arrow symbol [38] starts flashing on the display.

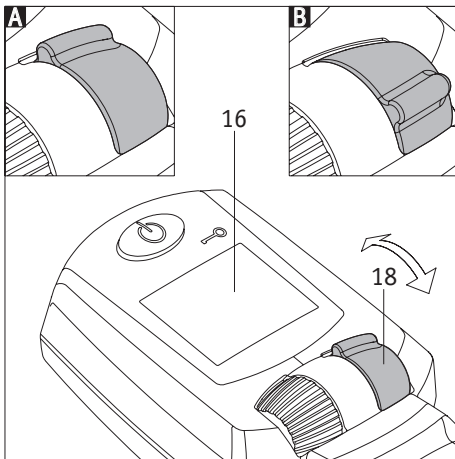
Once the wheel is fully extended, the display [16] indicates the selected direction of travel (see chapter 2.7) and the charge status of the battery pack (see chapter 5.2). In addition, the selected speed (see chapter 2.8) is indicated on the display for a few seconds.



When switching on the viamobil, make sure your leg is not underneath the extended wheel. Risk of crushing injuries!



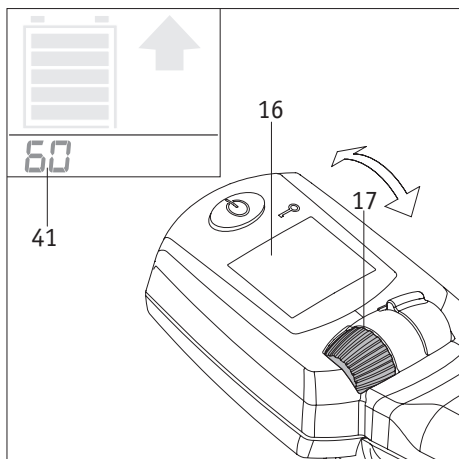
The charge status of the battery pack is also constantly indicated on the display [16]. For an overview of all possible indications, see chapter 5.2.



2.7 Selecting the direction of travel

You can use the ergonomically shaped driving direction switch [18] to set the direction of travel.

- Slide the driving direction switch [18] forward (diagram A); the viamobil will move forward when you actuate the driving lever [19].
- Slide the driving direction switch [18] back (diagram B); the viamobil will move backward when you actuate the driving lever [19].
- If the driving direction switch [18] is adjusted when the device is standing still, the viamobil will immediately move in the set direction when the driving lever [19] is actuated.
- If the driving direction switch [18] is adjusted during travel, the viamobil will stop automatically and switch the direction of travel as soon as the device is standing still. You will then have to release the driving lever [19] before pressing it again. This is necessary for the device to move in the indicated direction.
- The set direction of travel is indicated on the display [16] by an arrow (see chapter 6.1).



2.8 Selecting the speed

You can use the adjustment wheel [17] to set the maximum speed you want to reach before and during travel.

When starting the device, always turn the adjustment wheel [17] to the position with the lowest speed and then gradually increase the speed to the desired walking speed.

- Turn the adjustment wheel [17] in the direction of travel to increase the speed.
- Turn the adjustment wheel [17] against the direction of travel to decrease the speed.

The set maximum speed can be adjusted continuously from 1.1 km/h to 5.5 km/h and 0.5 km/h to 2.7 km/h for travelling forward and backward, respectively, while the device is standing still or in motion.

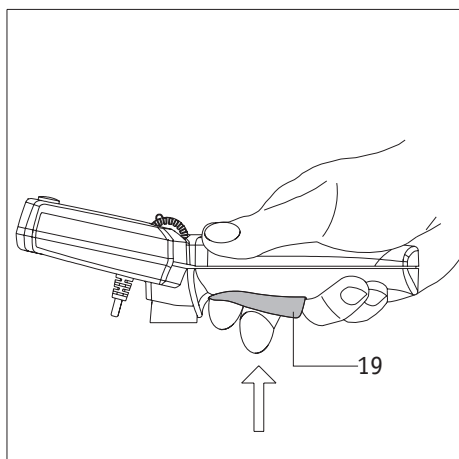
While being adjusted, the speed (set value in relation to the maximum speed; see also chapter 6.3) is shown on the display [16] for a few seconds.



We recommend that drivers who use the viamobil for the first time start at a low final speed in order to become adequately familiar with the viamobil's driving characteristics.



Refrain from making your first driving attempts in narrow areas such as hallways.



3. Driving mode

3.1 Starting to drive

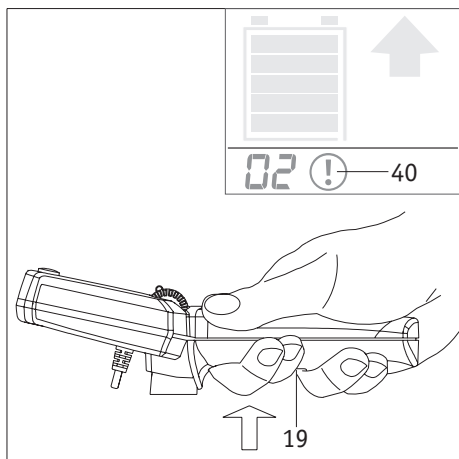
When you have made all the settings described in the previous chapters, you can start using the device. The driving lever [19] acts like the accelerator pedal on your car.

- Pressing lightly on the driving lever [19] causes the viamobil to slowly move in the set direction of travel.
- If you depress the driving lever [19] all the way until you feel noticeable resistance, the viamobil will move in the set direction of travel and at the maximum speed you selected (see chapter 2.8).
- When you release the driving lever [19], the viamobil will come to a standstill.



When the driving lever [19] is released, the viamobil will not come to an immediate standstill, but keep moving in the direction of travel for a short distance.

Therefore, stop in time before you run into an obstacle.



3.2 Safety circuit

Avoiding sudden obstacles or dangerous situations requires an immediate stop of the viamobil, which is triggered by a safety circuit.

- Press the driving lever [19] all the way and past its regular resistance.
- The viamobil will stop immediately.
- The display shows the code "02" and a flashing info symbol [40]. In addition, the device will sound an audible signal.
- Releasing the driving lever [19] will turn off all indications and the audible signal.
- The viamobil will then be standing still.
- To resume driving, press the driving lever [19] again.

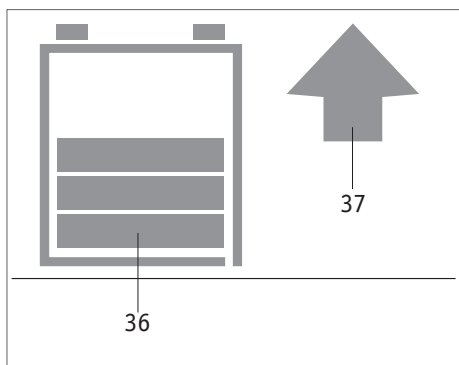


The regular way to bring the viamobil to a standstill is by releasing the driving lever [19].

If the safety circuit is triggered by pressing the driving lever [19] in a dangerous situation, the viamobil will come to an immediate and abrupt standstill. This may cause the wheelchair user to fall out of the wheelchair, especially if the device is stopped at maximum speed or during (possibly too rapid) downhill travel.

We, therefore, recommend that the user drive with care and wear a lap belt!

Also follow the instructions given in chapter 3.5



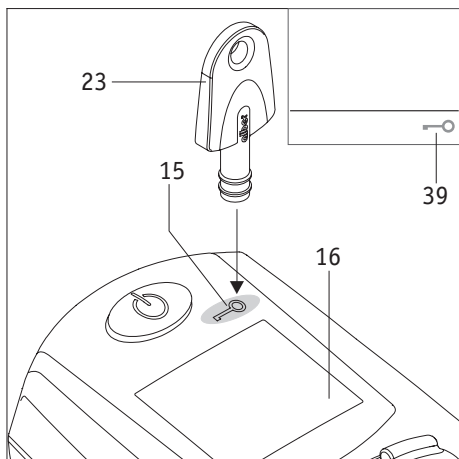
3.3 Automatic brake engagement

If the viamobil is switched on and the driving lever [19] is not actuated within 30 seconds, the electromagnetic brake will engage automatically. This prevents the wheelchair from rolling away, in particular if it is stopped at an incline. The brake is disengaged automatically when the driving lever [19] is actuated.

The display will only show the direction of travel [37] and the charge status of the battery pack [36] instead of any particular indicators.



When stopped at an incline, the wheelchair must also always be secured with the brakes on the wheelchair.



3.4 Anti-theft protection

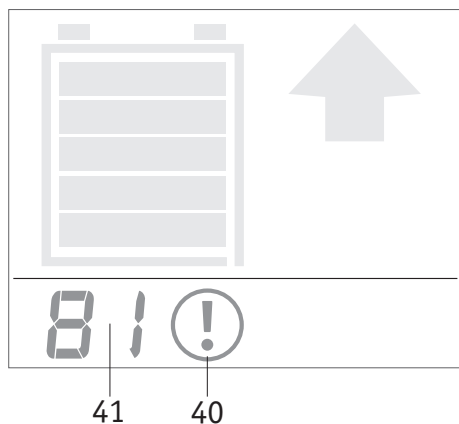
To prevent it from being misused, the viamobil is equipped with an anti-theft device. The device can only be activated/disabled when the viamobil is switched on.

Activating anti-theft protection

- Place the key [23] directly onto the sensor field of the control unit that is marked with a key symbol [15].
- All indications shown on the display [16] go out, while the key symbol [39] remains visible.
- The anti-theft device is now activated.
- Switching off the viamobil (see chapter 3.8) does not affect the activation of the anti-theft device, i. e. anti-theft protection will be enabled when the device is switched back on.

Disabling anti-theft protection

- Place the key [23] directly onto the sensor field of the control unit that is marked with a key symbol [15].
- The display [16] stops showing the key symbol and shows the set direction of travel ([37] or [38]) and the charge status of the battery pack [36] instead.



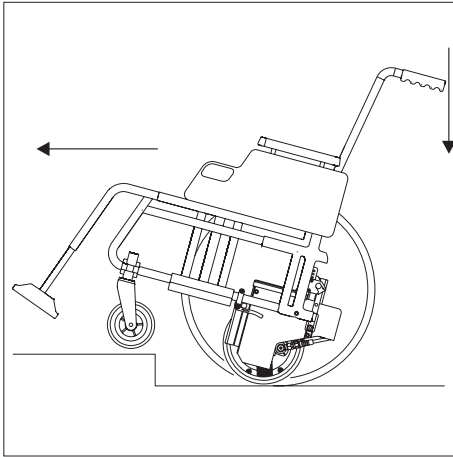
3.5 Downhill travel with the battery pack fully charged

As a result of various environmental conditions and, in particular, during downhill travel with the battery pack fully charged, the increased feedback of energy that is intended to protect the battery pack will reduce the speed automatically. This is indicated to the driver by a flashing battery symbol on the display.

In extreme cases, this may cause the system to shut down automatically, which, in turn, will bring the viamobil to an immediate standstill. This is indicated on the display [16] of the control unit by error code "81" [41] and the adjacent info symbol [40]. In addition, the device will sound a 3-second audible signal.

To resume driving, you should travel uphill in order to consume energy.

If you are required to drive uphill immediately - for instance, because of the location of your home - you should not fully charge the battery pack of your viamobil. This process is completed automatically when you drive downhill due to energy feedback.

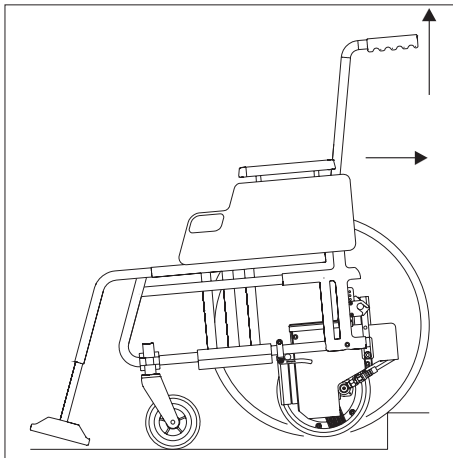


3.6 Traversing obstacles

Use special caution when negotiating obstacles such as kerbs.

You can traverse obstacles both when driving forward and backward. Higher obstacles make it necessary to lift up or push down the wheelchair **by its push handles** (instead of using the control unit or the additional handle on the viamobil). You do not have to switch off the viamobil for this purpose.

The height of some obstacles you need to traverse may no longer make it possible to push the viamobil as the drive wheel may no longer be in contact with the ground depending on the wheelchair's angle of inclination. In such cases, approach the obstacle at a 20 degree angle rather than at a right angle.



Approach every obstacle at a slow pace and brake in good time before you reach it!

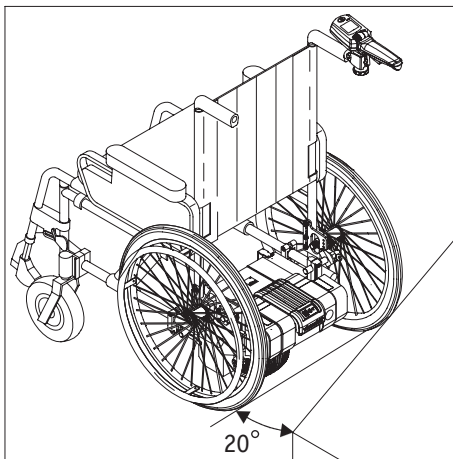
Make absolutely sure not to approach the obstacle at maximum speed, prevent the wheels to bump into the obstacle and never attempt to traverse the obstacle at maximum speed.

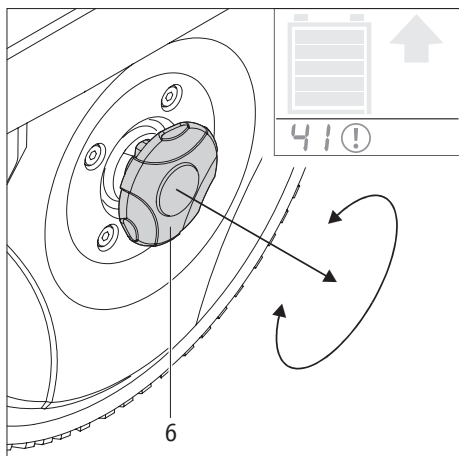
Such driving manoeuvres may especially damage the front wheels of the wheelchair or (in extreme cases) cause them to break off.



When traversing obstacles (see chapter 3.6), do not lift up or push down the wheelchair by means of the control unit or the additional handle.

Similarly, do not tilt the wheelchair by pressing down on the battery pack with your foot.





3.7 Manually engaging/disengaging the drive wheel (Emergency release)

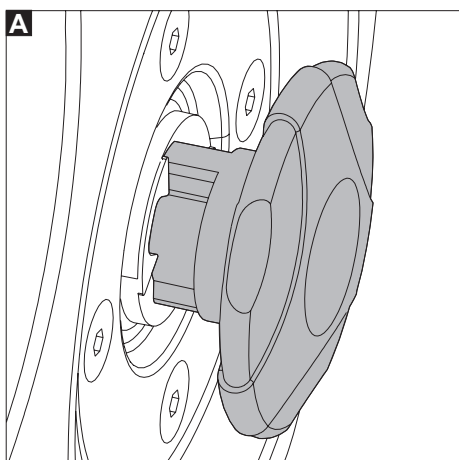
If your viamobil can no longer be operated, for instance due to a drained battery pack, the device will switch off automatically. In this case, the display will show code "41" next to the info symbol (see also chapter 6.5). The residual energy remaining in the battery pack is usually sufficient to switch the viamobil on and off again, which will automatically retract the drive wheel [7].

If this is not possible, you can manually disengage the drive wheel by following the instructions below.

- Pull the handle of the releasing device [6], which is located on the right side of the drive wheel, outward while turning it in any direction by approx. 90°.
- The coupling has now been released (see fig. A), the drive wheel can be moved manually and the wheelchair can be pushed.
- Recharge the battery pack (see chapter 5.1).

You must re-engage the wheel before putting the viamobil back into operation.

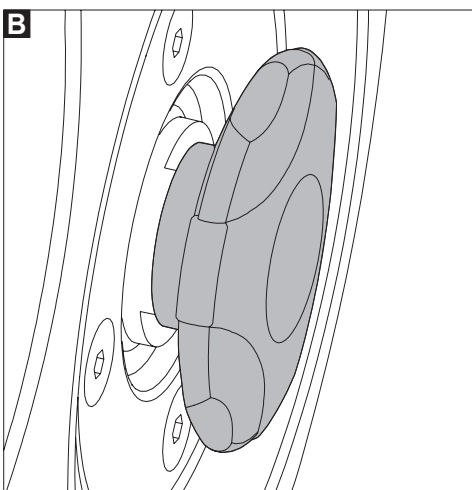
- Turn the handle of the releasing device [6] in any direction until it locks back into the drive wheel.
- Check if the drive wheel is properly locked in place - it must no longer be possible to turn it manually.
- If the drive wheel has been locked correctly (see fig. B), the viamobil can be operated again as normal.



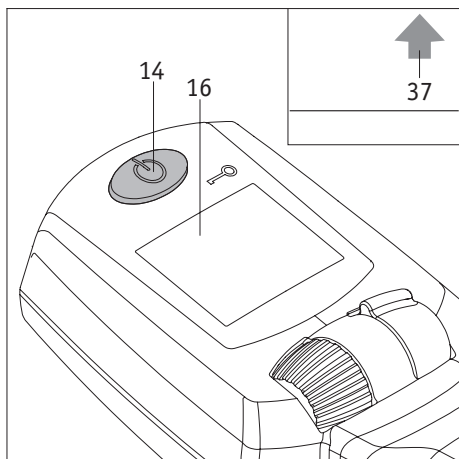
Before disengaging the drive wheel [7], you must tighten the manual brakes on the wheelchair (in particular, at an incline) in order to prevent the wheelchair from rolling away.



If the drive wheel [7] is still engaged when the viamobil is switched on, the display will show error code "72". Engage the drive wheel.



If the error message '70' appears on the display, then the drive wheel [7] is still disengaged. Engage the drive wheel.



3.8 Switching off the viamobil

When you are finished driving, you should switch off the viamobil - not least, in order to conserve the power stored in the battery pack.

- To switch off the viamobil, press and hold the ON/OFF switch [14] for approx. 1 second.
- The drive wheel [7] lifts off the ground, and the arrow symbol [37] shown in the adjacent diagram flashes on the display.

When the wheel is fully off the ground, all indications shown on the display [16], the green light of the ON/OFF switch [14], and the capacity indication [42] on the battery pack will go out.



Never switch off the viamobil when parked at an incline!

Switching off the viamobil will lift its drive wheel off the ground, robbing the device of its brake force.

If switching the device off at an incline cannot be avoided, you must engage the manual brakes on the wheelchair before switching off the viamobil.

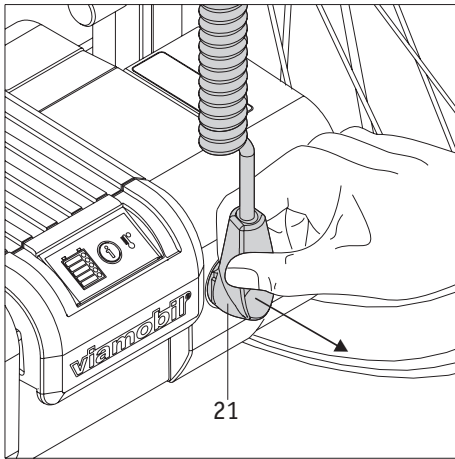
When experiencing a technical fault, the viamobil will shut down automatically. In this case, too, the drive wheel remains on the ground at first before lifting off the ground when the system restarts. Consequently, the manual brakes on the wheelchair must be applied to prevent the wheelchair from rolling away.



Before switching off the viamobil, always apply the manual brakes on the wheelchair to prevent the wheelchair from rolling away.



When switching off the viamobil, ensure that your feet and hands are located outside the range of the self-raising drive wheel [7]. There is otherwise a risk of crushing, particularly for toes and fingers.



4. Removing the viamobil from the wheelchair

Normally, the viamobil is permanently attached to the wheelchair. Proceed as follows if detaching the viamobil becomes necessary, for example, to allow for the transport of the device.

4.1 Disconnecting the control unit

- Apply the brakes on the wheelchair to prevent the wheelchair from moving inadvertently.
- Switch off the viamobil (see chapter 3.8).
- Pull the plug of the control unit [21] from the socket [11] on the battery pack as shown in the diagram.



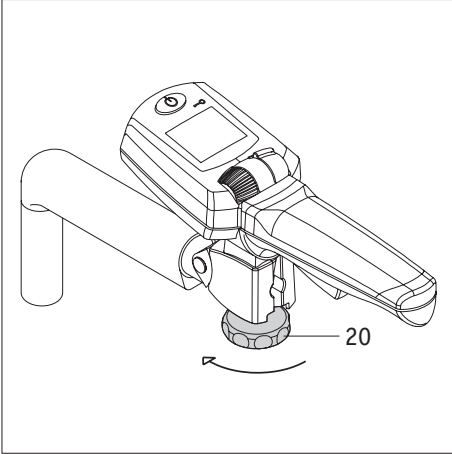
If the plug of the control unit [21] is pulled from the battery pack while the viamobil is switched on, the drive wheel will lock up. Consequently, the viamobil must always be switched off before the plug [21] can be pulled.



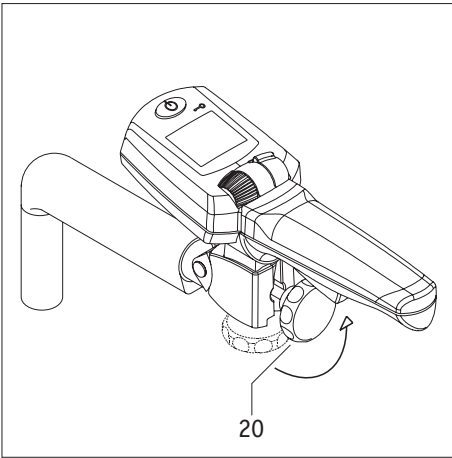
Do not disconnect the control unit from the viamobil by pulling on the cable of the control unit! This may cause the plug to snap back and hit you.

4.2 Removing the viamobil from the wheelchair

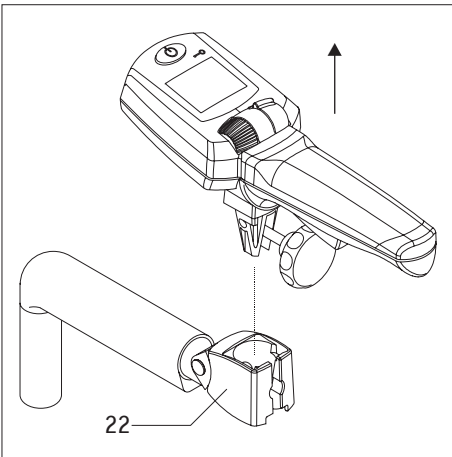
- Turn the knob [20] counter-clockwise by approximately 3 rotations

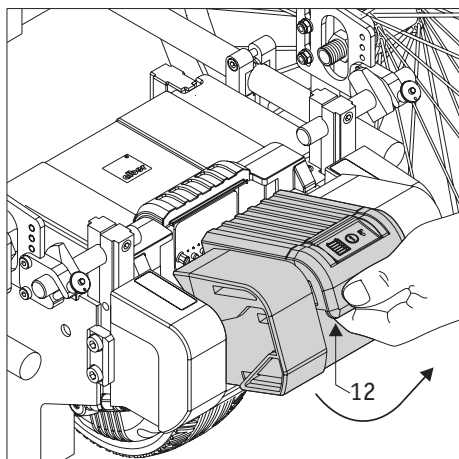


- Fold up the knob [20] by 90 degrees



- Pull the control unit out of its holder [22] on the wheelchair.
- Store the control unit in a location where it is safe from damage and unauthorised access.
- Proceed in the same manner when removing the push handle that is located on the other side of the wheelchair.



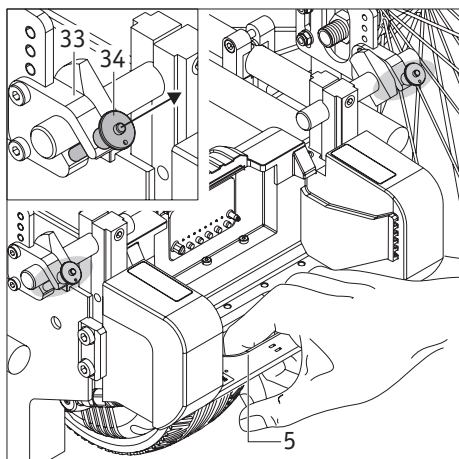


4.3 Detaching the battery pack

- Reach into the locking mechanism [12] of the battery pack as shown in the drawing.
- Pull the battery pack up and off the viamobil.
- Store the battery pack in a cool and dry location where it is safe from damage and unauthorised access.

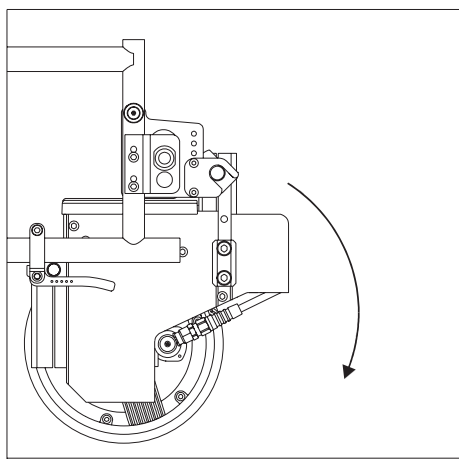


Observe the safety and warning notices regarding the battery pack provided in chapters 5.4 and 5.5.

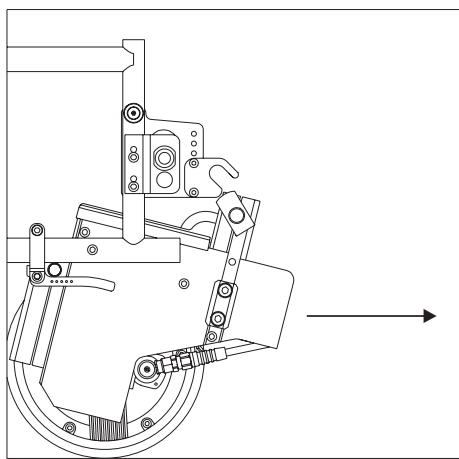


4.4 Removing the viamobil from the wheelchair

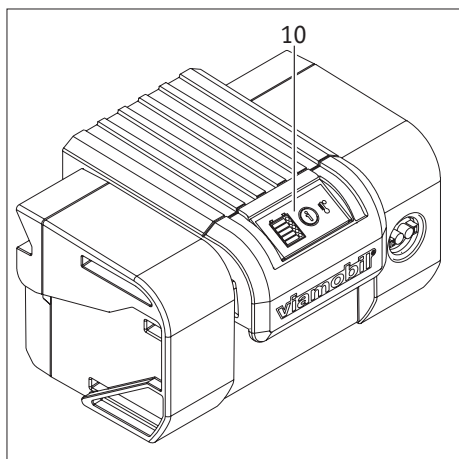
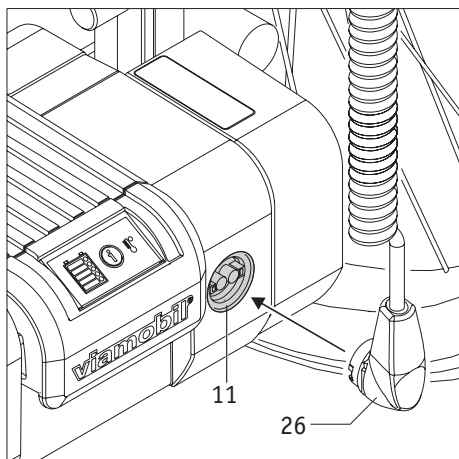
- Apply the parking brake of the wheelchair so that the wheelchair cannot roll away.
- Hold the viamobil by its carrying handle [5].



- Pull the quickpins [34] out of the forks [33] (see also chapter 2.3).
- Swivel the viamobil out of the holder on the wheelchair and down to the ground.



- Pull the viamobil out from underneath the wheelchair.
- Store the viamobil in a clean and dry location where it is safe from damage and unauthorised access.



5. Battery pack

The battery pack can normally remain attached to the viamobil. If wheelchair and viamobil are transported as luggage by such means of transport as cars, buses, rail, planes, etc., the battery pack can be removed to facilitate the transport of the viamobil. Please observe the information in chapter 5.6.

Information on how to insert and remove the battery pack are included in the previous chapters 2.4 and 4.3.

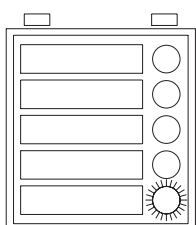
5.1 Charging the battery pack

- The battery pack may only be charged in a dry room at temperatures between 0° and 40° degrees centigrade.
- If you want to charge the battery pack that is still inserted in the viamobil, you must first pull the plug of the control unit [21] from the socket [11] (see chapter 4.1).
- If the battery pack has already been removed from the viamobil, you will not have to make any additional preparations.
- Insert the plug of the automatic charger [26] into the socket [11] of the battery pack. The connection is locked automatically by a magnetic closure.
- Complete the charging process following the information contained in the operating manual that is included with the charger. The display [10] of the battery pack indicates the charge status based on the table below

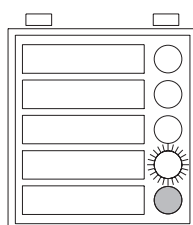


Make sure the plug of the control unit [21] and the socket [11] are clean and do not contain any metal particles. If you detect such particles, use a dry and clean cloth to remove them. For details, see chapter 12.2.

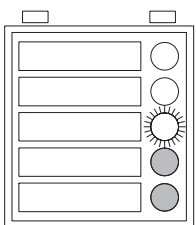
Indication on the display of the battery pack during charging



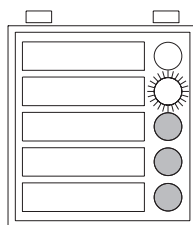
1 LED (red) flashes
Battery pack is charged to less than 20 %.



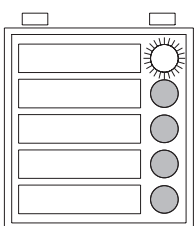
One LED flashes, 1 LED is lit
The battery pack is charged to between 20 % and 40 %.



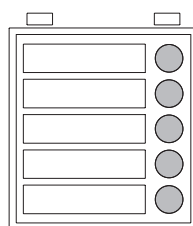
One LED flashes, 2 LEDs are lit
The battery pack is charged to between 40 % and 60 %.



One LED flashes, 3 LEDs are lit
The battery pack is charged to between 60 % and 80 %.



One LED flashes, 4 LEDs are lit
The battery pack is charged to between 80 % and 100 %.



5 LEDs is lit
Battery pack is charged to 100 %.

Follow the safety and warning notices provided on the following page!



If an error occurs during the charging process, all LEDs will flash at a slow interval. Check if all criteria (e.g. ambient temperature, properly connected charging plug, etc.) for the charging process have been met in accordance with this operating manual and the operating manual that is included with the charger.



Do not leave the charger connected to the mains socket any longer than necessary. When the charging process is complete, disconnect the charger from the mains socket first before disconnecting it from the battery pack.



If the battery pack and the viamobil are connected to the wheelchair during charging, apply the parking brake of the wheelchair so that it cannot roll away.



Before using the device, always check the charge status of the battery pack. The battery pack should be fully charged prior to use in order to prevent the device from stopping inadvertently due to a drained battery pack.



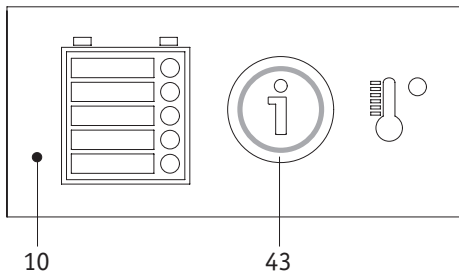
The battery pack may only be charged in a dry room at temperatures between 0° and 40° degrees centigrade.



Please observe the instructions in the operating manual enclosed with the charger.



Observe the additional information on the battery pack provided in chapters 5.4 and 5.5

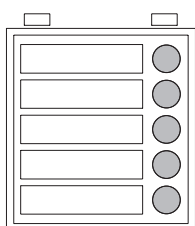


5.2 Capacity indication on the battery pack display

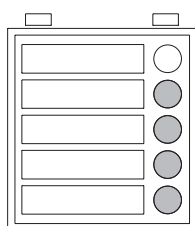
If the viamobil is switched on, the remaining capacity is indicated both on the control unit (see chapter 6.2) and the display [10] of the battery pack. The indicators do not go out until the viamobil is switched off.

If the battery pack is removed from the viamobil, the capacity indication can also be enabled by pressing the info button [43]. The indication will go out after a few seconds.

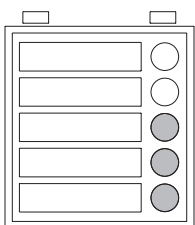
The information provided in the table below refers exclusively to the indication shown on the display [10] of the battery pack. The following indications mean:



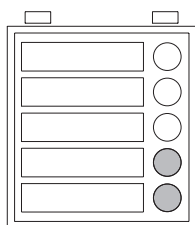
5 LEDs are lit
 Battery pack is charged to 100 %.
 Avoid high speeds when driving down slopes as the current feedback in the wheels may lead to overvoltage in the battery pack and force the wheel to shut down.



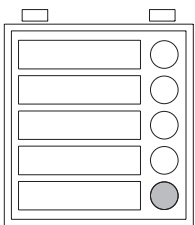
4 LEDs are lit
 Battery pack is charged to 80 %.



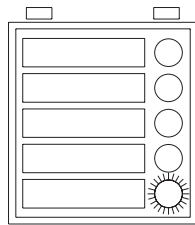
3 LEDs are lit
 Battery pack is charged to 60 %.



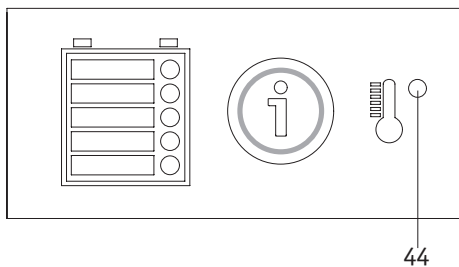
2 LEDs are lit
 Battery pack is charged to 40 %.
 We strongly recommend that you do not cover expansive distances without previously charging the battery pack.



1 LED is lit
 Battery pack is charged to 20 %.
 Charge the battery pack before using the device.



1 LED (red) flashes
 Battery pack is charged to 10%; you should not use the device.
 Charge the battery pack before using the device.



5.3 Temperature indicator

Operating temperature

If the operating temperature of the viamobil drops below or exceeds the permissible limits (ambient temperature approx. -25 °C to + 50 °C), the viamobil will shut down automatically. The display of the control unit shows an error code (see chapter 6.5), and a red LED [44] flashes next to the temperature symbol on the display of the battery pack.

Charging temperature

If the charging temperature drops below or exceeds the permissible limits (0° to a maximum of 40° centigrade), the charging process will be aborted automatically. This is indicated by the above-mentioned LED [44], which appears next to the temperature symbol on the display of the battery pack.

5.4 Safety and warning notices regarding the battery pack

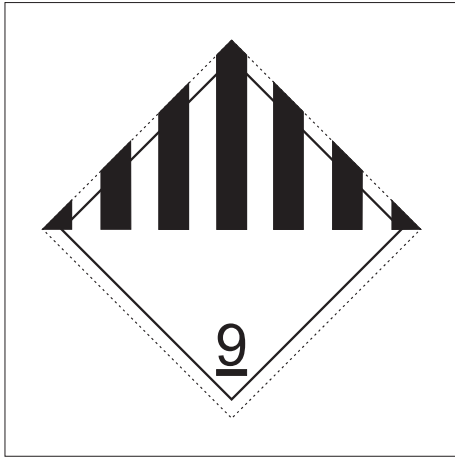


Before starting the charging process, read and follow all instructions and warning notices included with the charger and the warning and safety notices below.

- The viamobil must not be used with battery packs other than the battery pack supplied by Alber. Other types of batteries may burst and cause injuries or material damage.
- Do not charge the battery pack in the presence or vicinity of flammable liquids or gases.
- Keep the battery pack away from fire.
- Never place the battery pack on your legs. If your legs are wet, you are in particular danger of conducting current and sustain injuries.
- Do not expose the viamobil and the inserted battery pack to moisture of any kind during charging (water, rain water, snow, etc.).
- Never complete the charging process in rooms where moisture may affect the viamobil and the battery pack housed in the device.
- In the (unlikely) event of the battery pack overheating or catching on fire, you must ensure that the battery pack does not come into contact with water or other liquids. The only suitable extinguishing agent that is recommended by the cell manufacturers is sand.
- Never charge the battery pack if temperatures are under 0 °C or above 40 °C. If you attempt a charging process outside of this temperature range, the battery pack's automatic control will abort the charging process automatically.
- Your viamobil uses power in all operating modes. Avoid fully discharging the battery pack, as this could cause damage to the batteries. We recommend recharging the battery pack immediately after every use.
- To charge the battery pack, use only the Alber charger supplied with your viamobil. The charging process ends automatically when the battery pack is fully charged. This avoids overcharging.
- When the charging process is complete, disconnect the charger from the mains socket first before disconnecting it from the battery pack.
- Use the battery pack only for the purposes specified in the operating manual.
- Never attempt to dismantle or modify the battery pack.
- Never connect the terminals of the battery pack with any metal objects.
- Do not immerse the battery pack in water. This may lead to irreversible damage.
- The useful life of the battery pack depends, among other things, on its storage location. Consequently, never leave the battery pack (whether the battery pack is installed in or has been removed from the viamobil) in hot locations for prolonged periods. In particular, use the boot of a car parked in the sun only for transport rather than as a storage location.

5.5 Safety and warning notices on how to store the battery pack

- Use the included cardboard box for storing the battery pack.
- Protect the battery pack immediately after you removed it from the viamobil. Never allow any moisture or foreign particles (e.g. metal fragments, small nails or other conductive metals) to penetrate the battery pack.
- Do not expose the battery pack to moisture of any kind during charging (water, rain water, snow, etc.)!
- Before storing it, charge the battery pack and check its charge status every 3 months.
- Store the battery pack in a cool and dry location where it is safe from damage and unauthorised access.
- Before shipping or transporting a damaged battery pack, you must consult your specialist dealer or the Alber Service Center.
- Instructions on how to handle a damaged or defective battery pack:
If damaged or defective, the battery pack must be singled out and checked. Contact your specialist dealer to learn about the proper procedure that must be used for returns and repairs.
The defective/damaged battery pack must not be used or opened under any circumstances.



Battery pack data:

- Lithium-ion cells (> 100 Wh)
- Dangerous goods class 9

5.6 Safety and warning notices on how to transport and ship the battery pack

The battery pack of the viamobil is composed of lithium-ion cells. Transport and shipping of the battery pack are, therefore, subject to all applicable statutory requirements, which must be strictly observed. For instance, a defective battery pack must never be transported by plane or carried as luggage.

As transport regulations may change annually, we strongly recommend that you consult your travel operator, airline or shipping line before your set out on your trip in order to learn about the currently applicable regulations.

In this context, our transport certificate may be helpful. You can obtain this certificate by calling our Alber Service Center (Tel.: **0800 9096 250**) or by downloading it at **www.alber.de**.

If your battery pack is defective, take it personally to your specialist dealer or Alber agent as shipping lithium-ion batteries by postal service or other carriers is subject to strict rules and regulations. We, again, recommend that you contact your specialist dealer or Alber agent.



Discuss transport with your specialist dealer or Alber agent prior to shipping



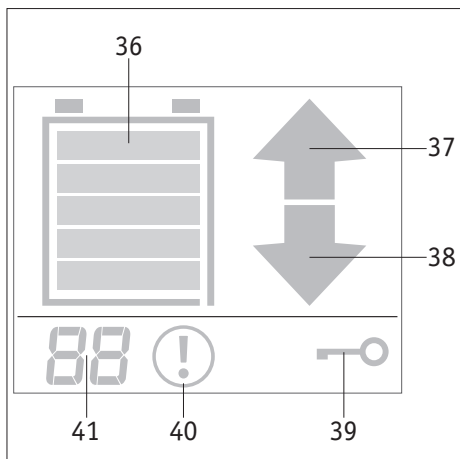
Make sure to keep the packaging container of the battery pack in case you need to transport it.

5.7 Safety and warning notices regarding the charger



Before starting the charging process, read and follow all instructions and warning notices included with the charger and the warning and safety notices below.

- Use only the charger included by Alber to charge the battery pack of your viamobil. The charging process ends automatically when the battery pack is fully charged. This avoids overcharging.
- Never use the charger to charge battery packs other than the supplied battery pack.
- When the charging process is complete, disconnect the charger from the mains socket first before disconnecting it from the battery pack.
- Never use a charger that is not supplied by Alber.
- Do not expose the charger to moisture of any kind during charging (water, rain water, snow, etc.).
- Be aware of condensation. If the charger is brought from a cold into a warm room, condensation may occur on and in the device. In this case, refrain from using the charger until all condensation has dissipated. Please note that it may take several hours for condensation to disappear.
- Never complete the charging process in rooms where moisture may affect the charger.
- Never carry the charger by its power cable or the charger cables.
- Never tug at the power cable to disconnect the charger from the mains socket.
- Never subject cable and plug to any pressure. Overstretching or bending the cable, pinching a cable between a wall and a window frame or placing heavy objects on a cable or a plug may result in electric shock or fire.
- Lay the power cable and the attached charging cable in such a way that nobody can step on it or trip over it and that cable and charger are protected against any other harmful effects or stress.
- Do not operate the charger if the power cable, the charging cable or the plugs attached to the cables are damaged. Damaged parts must be replaced immediately by a specialist dealer who has been authorised by Alber.
- Do not use or disassemble the charger when it has received a hard blow or was dropped or damaged in another way. Take the damaged charger to a specialist dealer who has been authorised by Alber to perform repairs.
- The charger must not be used by children.
- The charger is designed to operate only with mains alternating voltage of 100 V - 240 V.
- Never attempt to disassemble or modify the charger.
- Do not cover the charger during the charging process or place any objects on top of the device.
- Set up the charger in the upright position on a level surface.
- Never connect the terminals of the charging plug with any metal objects.
- Ensure that the plug is firmly inserted in the socket.
- Never touch the plug if your hands are wet.
- Do not use the plug of the charger and/or the mains plug if they are wet or dirty. Before inserting it, clean the plug using a dry cloth.
- After the charging process is completed, first disconnect the plug of the charger from the socket and then disconnect the charging plug from the battery pack.



6. Control unit

All drive functions of the viamobil are controlled by the control unit and described in the previous chapters.

6.1 Display symbols

The following indications mean

- [36] = indication of the residual capacity stored in the battery pack
- [37] = indication "driving direction forward" (chapter 2.7)
- [38] = indication "driving direction reverse" (chapter 2.7)
- [39] = anti-theft protection (chapter 3.4)
- [41] = selected maximum speed (chapter 2.8)

In the event of an error:

- [40] = warning sign "error"
- [41] = indication of the error code (chapter 6.4)

6.2 Capacity indication on the control unit display

If the viamobil is switched on, the capacity remaining in the battery pack is indicated both on the battery pack (see chapter 5.2) and the display [16] of the control unit. The indicator does not go out until the viamobil is switched off.

The information provided in the table below refers exclusively to the indication shown on the display [16] of the control unit. The following indications mean:



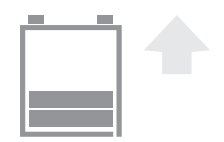
5 bars
 Battery pack is charged to 100 %.
 Avoid high speeds when driving down slopes as the current feedback in the wheels may lead to overvoltage in the battery pack and force the wheel to shut down.



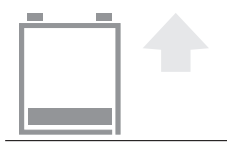
4 bars
 Battery pack is charged to 80 %.



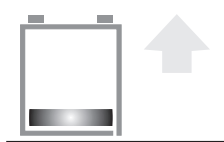
3 bars
 Battery pack is charged to 60 %.



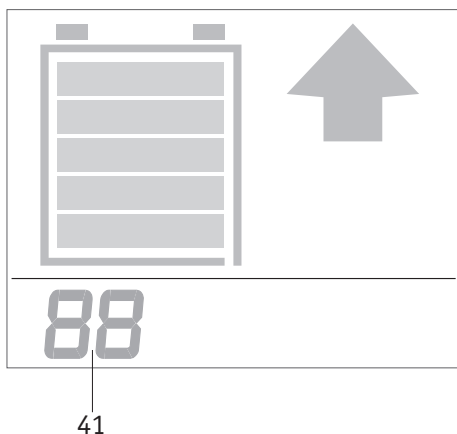
2 bars
 Battery pack is charged to 40 %.
 We strongly recommend that you do not cover expansive distances without previously charging the battery pack.



1 bar
 Battery pack is charged to 20 %.
 Charge the battery pack before using the device.



1 bar flashes
 Battery pack is charged to 10 %; you should not use the device.
 Charge the battery pack before using the device.



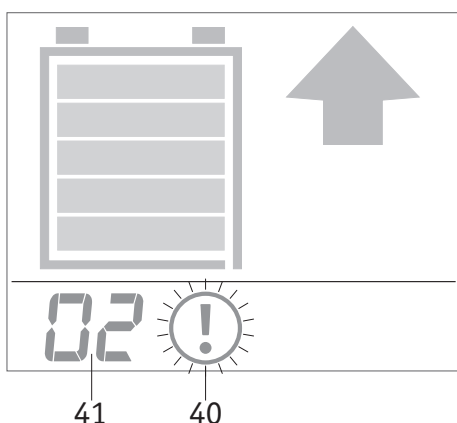
6.3 Display of the selected maximum speed

You can set the maximum speed you wish to reach following the instructions given in chapter 2.8. The display [16] shows the set values

- when the viamobil is switched on,
 - when the speed is changed
- for a few seconds (indication [41]).

The set speed is not displayed kilometres per hour but in relation to the maximum speed.

The lowest speed is 20 % of the highest possible speed and indicated as "01", while the maximum speed is indicated as "99".

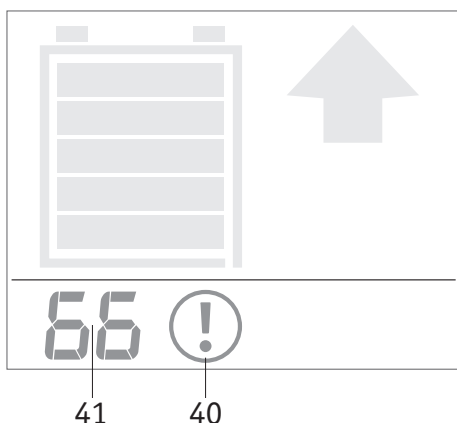


6.4 Warnings

The viamobil can issue a variety of warnings.

They are shown as a number [41] next to a flashing warning symbol [40] on the display [16] of the control unit. In addition, the device will sound an audible signal. Possible error messages and instructions on how to eliminate errors are listed in the table below.

Display indication	Description	What to do?
2	The driving lever was pressed hard enough to trip the safety switch which stops the viamobil in the event of potentially incorrect use.	Release the driving lever before actuating it again to resume driving.
10	The driving lever was pulled while the viamobil was in the process of being switched on.	Do not actuate the driving lever until the viamobil is switched on.
40	Temperature in the drive unit too high	Slow down and avoid driving up steep slopes and/or ensure that the weight of the person using the device is not too high. Switch off the drive unit and allow it to cool down.
80	Temperature in the battery too high	Slow down and avoid driving up steep slopes and/or ensure that the weight of the person using the device is not too high. Switch off the drive unit and allow it to cool down.
81	Battery overvoltage	Driving downhill at too rapid a pace and with a completely charged battery generates too much voltage. Reduce your speed.
82	Battery undervoltage	The battery is empty. Stop driving and recharge the battery.
83	Overcurrent	Driving downhill at too rapid a pace and with a completely charged battery generates too much current. Reduce your speed.
85	Battery's useful life	The battery has reached the end of its useful life and should be replaced.
93	The ON/OFF switch was pressed during travel	Avoid pressing the ON/OFF switch during travel as this will trigger emergency brake application. To resume driving afterwards, you must briefly let go of the driving lever.



6.5 Error indicators

The viamobil has a variety of error indicators. They are shown as a numeric code [41] next to a flashing warning symbol [40] on the display.

The following errors can be corrected by the person driving the viamobil:

Display indication	What to do?
1	Switch the viamobil off and then on again. Remove the battery, check the contacts on battery and drive unit for dirt and refit the battery. If this does not correct the error, the device needs to be repaired.
2	Switch the viamobil off and then on again. Check the plug of the control unit for foreign objects (e.g. metal chips). If this does not correct the error, the device needs to be repaired.
3	Switch the viamobil off and then on again. Check the contacts on the battery and the plug of the control unit for foreign objects. If this does not correct the error, the device needs to be repaired.
10	A repair is necessary.
11, 12, 14, and 15	Switch the viamobil off and then on again. Check if the control unit is affected by magnetic fields and eliminate any such magnetic fields. If this does not correct the error, the device needs to be repaired.
13, 20, 40, 41	Switch the viamobil off and then on again. If this does not correct the error, the device needs to be repaired.
42	The drive unit overheated. Let it cool off so that you can resume driving.
43, 44	Switch the viamobil off and then on again. Avoid overloading the drive unit, which may be caused, for instance, by driving up too steep an incline.
52, 53	Switch the viamobil off and then on again. Check the contacts on the battery and the drive unit. If this does not correct the error, the device needs to be repaired.
66	The emergency release was activated. Using the device is no longer possible in this case. Deactivate the emergency release (see chapter 3.7). If this does not correct the error, the device needs to be repaired.
67	Switch the viamobil off and then on again. If this does not correct the error, the device needs to be repaired.
70	Check the status of the handle of the emergency release [6] (see chapter 3.7) — the grip has to be engaged. Then turn the viamobil off and back on. If the error cannot be corrected in this way, then repairs must be made.
71	Switch the drive off and then on again. Drive for a while along a level route or, if possible, uphill to slightly drain the battery. If this does not correct the error, the device needs to be repaired.
72	Check the status of the handle of the emergency release [6] (see chapter 3.7) — the grip has to be engaged. Remove the battery, check the contacts on battery and drive unit for dirt and refit the battery. Then turn the viamobil off and back on. If the error cannot be corrected in this way, then repairs must be made.
80	Switch the viamobil off and wait until the battery has cooled off. If this does not correct the error, the device needs to be repaired.

(Continued on the next page)

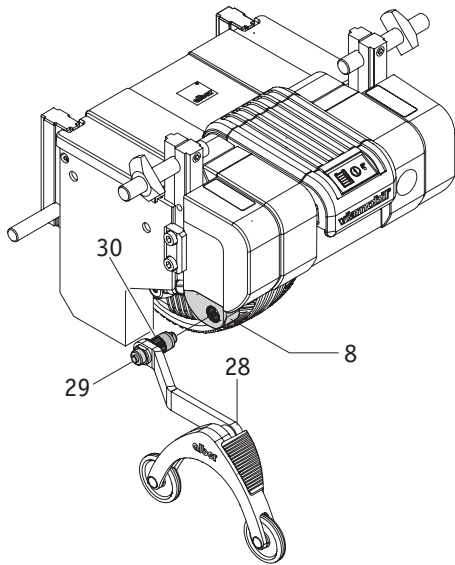
Display indication	What to do?
81	Switch the viamobil off and then on again. Drive for a while along a level route or, if possible, uphill to drain the battery.
82	Switch the viamobil off and then on again. Charge the battery.
83	Switch the viamobil off and then on again. Drive for a while along a level route or, if possible, uphill to drain the battery.
88, 90	Switch the viamobil off and then on again. If this does not correct the error, the device needs to be repaired.
91	Switch the viamobil off and then on again. Check the contacts on the battery and the drive unit. If this does not correct the error, the device needs to be repaired.
92	Switch the viamobil off and then on again. If this does not correct the error, the device needs to be repaired.



The display of a numeric error code that deviates from the ones listed above indicates a mechanical or electronic fault of the viamobil. Contact your authorised specialist dealer or Alber agent in such cases.



Before pressing the ON/OFF switch, you must secure the wheelchair by applying the parking brake.



7. Anti-tippers (optional accessories)

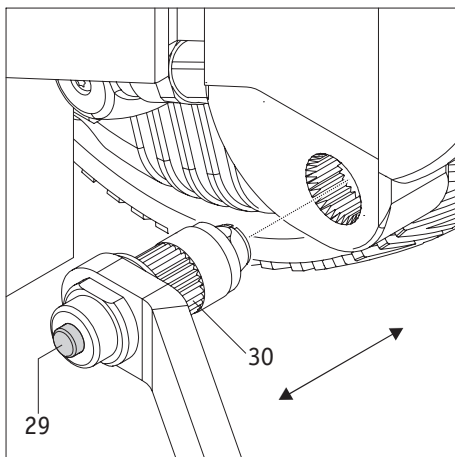
As your wheelchair may already be equipped with anti-tippers, Alber anti-tippers are offered as optional accessories only. The use of original anti-tippers is subject to the instructions and safety information that apply to their use and are provided by the manufacturer.

7.1 Installing the Alber anti-tippers

- Slide the anti-tippers [28] into the holders [8] on the left and the right of the viamobil as shown in the diagram. For this purpose, you must press the release button [29] and, if necessary, slightly rotate the anti-tipper up and down to lock it into the correct holder position.
- Check if the anti-tippers are seated correctly in the holder [8]. It must no longer be possible to remove them without pressing the release button [29].

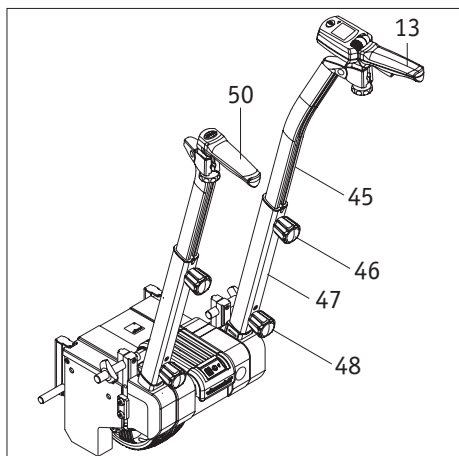
7.2 Removing the Alber anti-tippers

- Press the release button [29] and pull the anti-tipper from the holder [8].
- Store the anti-tippers in a safe location where the toothed section [30] cannot become damaged.



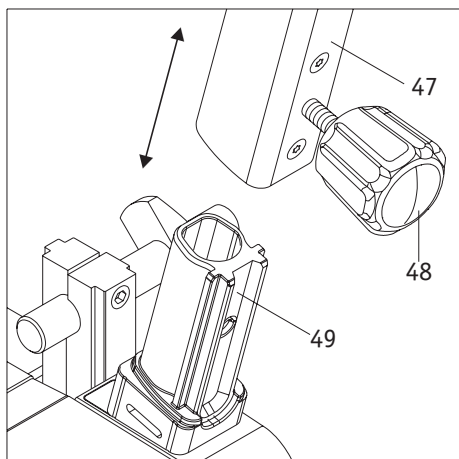
We strongly recommend equipping the viamobil or the wheelchair with anti-tippers, as they greatly enhance safety when driving on level ground!

When climbing slopes of more than 8 %, the use of anti-tippers (installed in pairs) is mandatory. Please note that certain wheelchair models must always be equipped with Alber anti-tippers following the Alber bracket list. This requirement is based on the results of combined tests.



8. Additional push handles (optional accessories)

Additional push handles are offered as optional accessories. If they are retrofitted to an already existing viamobil, the holder [49] must be attached first at Alber or at your specialist dealer.

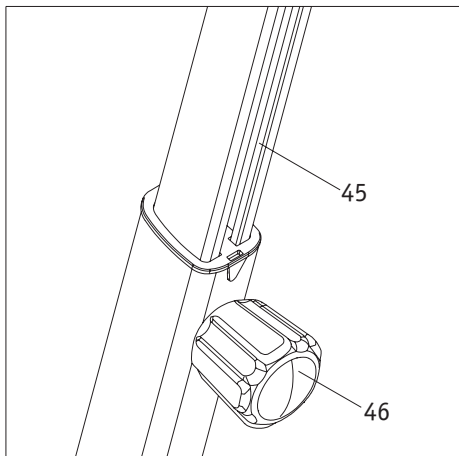


8.1 Installing the additional push handles

- Slip the tube [47] over the holder [49].
- Screw the tube [47] and the holder [49] to the lower knob [48].
- Loosen the height adjustment knob [46] and slide the inner tube [45] to the desired height. Ensure that both handles are set to the same height.
- Tighten the height adjustment knob [46] properly.
- Attach the control unit [13] and the handle [50] to the additional push handles. When doing so, proceed as described in chapter 2.5.

8.2 Removing the additional push handles

- If necessary, remove the control unit [13] and the handle [50] from the additional push handles (see also chapter 4.2)
- Loosen the lower knob [48].
- Pull the tube [47] from its holder [49].
- Store the additional push handles in a clean and safe location.



9. Transport and storage

9.1 Using the viamobil as a vehicle seat in combination with a wheelchair

Using a wheelchair as a vehicle seat with the viamobil attached is prohibited.

If the vehicle is equipped with a lifting platform or similar equipment, exercise extreme caution when driving the wheelchair including the viamobil onto the platform. Drive slowly and carefully. Do not make any sudden, abrupt or jerky movements. Look in the direction of travel and avoid any distractions.

When moved inside the vehicle, the wheelchair user must be switched to a regular seat in the vehicle where he is protected by the vehicle's safety system, e.g. air bags and side impact protection.

While the viamobil can remain attached to the wheelchair during travel, its battery pack must be removed and stored in a safe place.

Alber GmbH shall not be liable for any accidents and their consequences or damage to the wheelchair, the viamobil or any other objects and installations that result from non-compliance with these requirements and instructions.

9.2 Safety note regarding transport of the viamobil

While the viamobil can remain attached to the wheelchair during transport, its battery pack must be removed. Control unit and battery pack must not remain connected during transport.

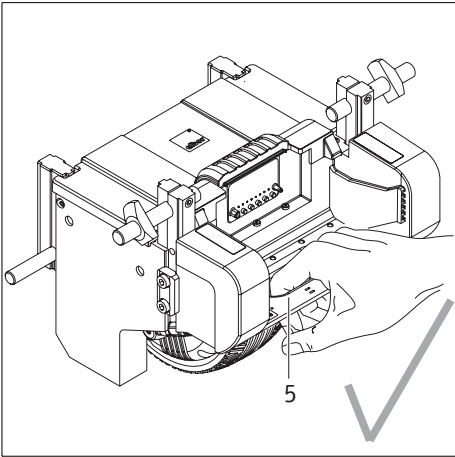
When removing the viamobil from the wheelchair, make sure to secure the device and all of its components (battery pack, control unit, additional push handles, and anti-tippers) in such a way during transport inside a vehicle that they do not pose a risk to the driver or the passengers in the event of a sudden brake manoeuvre. To secure the viamobil in the car, we recommend tying the individual components with suitable straps to the vehicle. Please note that it is the responsibility of the owner to ensure that all components are properly secured and that Alber GmbH shall not be held liable for any damage caused by unsecured parts. The individual components of the viamobil must never be stored unless they are properly secured!

Please check whether there are specific regulations regarding the transport of the viamobil or its components in your jurisdiction and strictly adhere to these regulations.

Accidents of any kind and their resulting consequences as well as damage to the wheelchair or the viamobil that

- resulted from non-compliance with these instructions
- occurred due to non-compliance with the laws and regulations in the country of use
- and can be attributed to the use of impermissible or unsuitable safety systems

shall not be deemed as situations for which Alber GmbH and their agents are liable.



9.3 Safety instruction on how to hold the viamobil

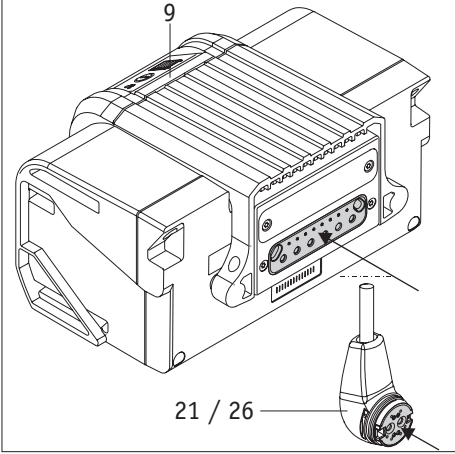
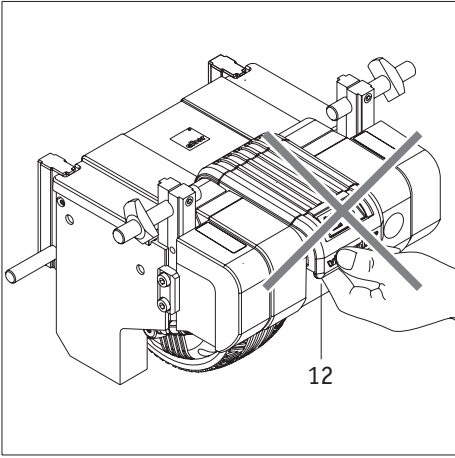
Moving the viamobil manually or holding it during transport requires that the battery pack be removed (see chapter 4.3).

Once this has been done, you can hold the viamobil by its carrying handle [5] as shown in the adjacent diagram.



Actuating the releasing device [12] disconnects the battery pack from the viamobil!

Therefore, never hold the viamobil by the releasing device [12] of the inserted battery pack regardless of whether you hold the viamobil during transport or move it manually.



9.4 Safety note regarding the electrical connections

The electrical connections

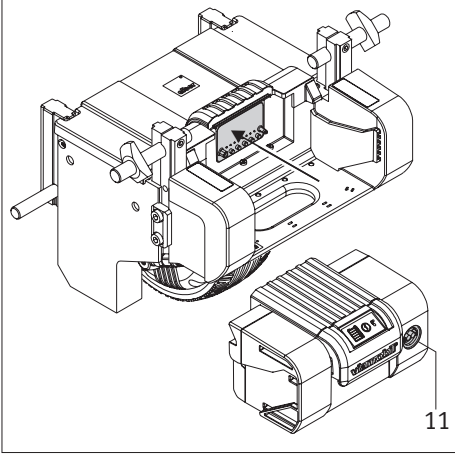
- of the battery pack [9],
- of the viamobil (rear),
- of the charger socket [11],
- of the charging plug [26]
- and of the plug [21] on the control unit

contain magnetic components.

Ensure that all components are stored in a safe and, first and foremost, clean location during transport or storage.

Metal fragments, metal chips or any other small parts must not enter the electrical connections under any circumstances.

Before being assembled, the electrical connections should be cleaned with compressed air to prevent any present contamination (by metal particles such as chips or similar objects) from causing a short circuit.



9.5 Storage

- To store the viamobil, place it on a surface that is easy to clean.
Experience shows that certain tyres (e.g. bicycle tyres) can leave behind residue on some plastic floors (for instance, PVC floors) that cannot be removed. The viamobil is also equipped with such commonly used tyres. If you are unsure in this regard, we recommend that you use cardboard as padding. Alber GmbH denies all liability for any damage caused to floors.
- If you wish to store the viamobil for a prolonged period of time, you must keep the device and, in particular, the battery pack in a dry environment, preferably at room temperature (+15 °C to +25 °C).
- If storing the viamobil for a prolonged period, do not rest the device on its drive wheel [7], as the device may otherwise start to wobble (over time).
- If stored exclusively, the battery pack should be connected to the supplied battery charger at a 3-month interval to be fully recharged. This ensures that your viamobil is working properly even after prolonged storage.
- After the battery pack has been charged, disconnect the charger from the power mains.
- The batteries consist of lithium-ion batteries. If stored and handled correctly, they are leak-proof and do not require any maintenance apart from regular recharging.
- If storing it for an extended period, switch on the viamobil once a month and move the wheelchair a few metres forward and back to prevent seizing of the brake and similar damage.

10. Safety and hazard information

To ensure safe operation and use of your viamobil, strictly adhere to the following instructions.

10.1 Safety instructions

Before using the device:

- In order to avoid injuries, the operator of the viamobil must wear sturdy footwear. Under no circumstances should the operator wear open sandals, slippers or similar footwear when operating the viamobil. Use of the viamobil by a barefoot operator is also prohibited.
- Before a user can take a seat in the wheelchair, the brakes on the wheelchair must be applied, and the viamobil must be switched off in order to prevent the wheelchair from rolling away.
- If you discover that a feature of the viamobil does not work as described in this operating manual, you must not continue to use the device. Contact your specialist dealer or an agent of Alber GmbH to have the error corrected.
- Never use the viamobil as a footboard.
- Before using the viamobil to drive up or down a slope, practice the operation of the add-on drive on level ground.
- The viamobil must only be attached to wheelchairs that have been approved by Alber GmbH for operation with the add-on drive.
- The bracket holding the viamobil in place may only be installed and modified by Alber GmbH, an Alber agent or your authorised specialist dealer.
- When using the viamobil, always strictly adhere to the operating instructions of the wheelchair.
- The viamobil must only be operated by the attendant. As there is a risk that the wheelchair may topple over when driving on slopes, the device must not be used as a self-drive device. The attendant must at all times be in a position to prevent the wheelchair and its passenger from tipping over. Please note that the wheelchair may tip over forward or backward.
- We strongly recommend equipping the wheelchair with anti-tippers. When climbing slopes of more than 8 %, the use of anti-tippers (installed in pairs) is mandatory.
- The parking brakes of the wheelchair to which the viamobil is attached must be positioned in such a way that they can be easily operated by the attendant while pushing the wheelchair.
- The drive wheel of the viamobil is a tubeless full-rubber tyre. Before setting the wheelchair in motion, check the condition of the wheel. The tyre tread pattern must still be adequate. If the rubber tread pattern shows any cracks, the viamobil must no longer be used. A new wheel can only be purchased by your authorised dealer as a spare part from Alber GmbH.
- Ensure that the air pressure in the wheelchair tyres corresponds to that prescribed by the wheelchair manufacturer. Both parameters directly affect the performance of the parking brakes.
- The viamobil should be inspected and serviced every 2 years by Alber GmbH, an Alber agent or your authorised specialist dealer (see chapter 12.5).

When using the viamobil, observe the following:

- When starting the device, always turn the rotary switch [17] that is used for selecting the speed to the position with the lowest speed and then gradually increase the speed to the desired walking speed.
- The maximum permissible angle of inclination is 11.5 per cent at a maximum payload of 160 kg. Greater slopes or inclines require that the operator be in a position to prevent the wheelchair from tipping over (in any direction) at all times.
- Under no circumstance must you exceed the maximum permissible slope specified by the wheelchair manufacturer while driving up and down slopes and inclines.
- Before driving down a slope, readjust the speed using the rotary switch [17] to ensure that it is not greater than the walking speed of the attendant.

- Never drive up and down slopes with the drive wheel [7] unhitched unless there is an emergency.
- Never approach stairs, precipices or steep slopes at maximum speed.
- While the viamobil is switched on, each actuation of the driving lever [19] is converted into a drive command. It is, therefore, imperative that inadvertent actuation is prevented. When stopping or waiting in potentially dangerous positions (e.g. while waiting at a traffic light, in front of slopes or ramps of any type), switch off the viamobil and do not touch the driving lever [19].
- Ensure that children do not touch the driving lever [19] or set the viamobil in motion.
- Do not attach any objects (shopping bags, etc.) directly to or near the control unit! Such objects may actuate the driving lever [19], which could result in inadvertent drive pulses.
- Do not attach any objects (shopping bags, etc.) to the additional push handles as they may actuate the driving lever [19], which could result in inadvertent drive pulses.
- When driving on pavements, keep a safe distance (preferably the width of the wheelchair) from the kerb.
- To drive over kerbs, you can drive forward or backward without having to switch off the viamobil. Lift the wheelchair by its handles (and not by the handle on the control unit or the additional handle). When driving over kerbs, observe the maximum climbing height specified by the wheelchair manufacturer.
- Avoid using the wheelchair on soft ground (e.g. loose chipping, sand, mud, snow, ice or deep puddles).
- Never leave the viamobil unattended, even if it is switched off. However, if this cannot be avoided, you can activate anti-theft protection (see chapter 3.4).
- During prolonged trips, the drive system of the viamobil may become hot. Do not touch the drive system immediately after a long trip (e.g. to place the viamobil in the car, etc.).
- Take care not to store the viamobil in places that are exposed to direct sunlight. The degree to which the components of the viamobil may heat up varies with the intensity of their exposure to the sun.
- The performance of the viamobil can be affected by electromagnetic fields that are produced, for example, by mobile phones. Therefore, switch off the add-on drive if a mobile phone is used in the vicinity of the wheelchair.
- Conversely, the viamobil may interfere with other electrical equipment such as anti-shoplifting barriers in department stores.
- When travelling in the wheelchair, ensure that there is a sufficient distance between your feet and the drive wheel [7] of the viamobil, so as to avoid any type of contact between your footwear and the drive wheel. Open shoes or barefoot use pose a risk because your extremities could be caught in the rubberised drive wheel, which could potentially lead to injuries through crushing.

Observe the following when finished using the viamobil:

- Before a user can leave the wheelchair, the brakes on the wheelchair must be applied, and the viamobil must be switched off in order to prevent the wheelchair from rolling away.
- When not in use, the viamobil must be switched off to prevent inadvertent triggering of drive pulses when the driving lever [19] is touched and prevent the battery from discharging completely. Apply the manual brakes on the wheelchair.
- Park the wheelchair and the viamobil only in dry and safe places. Never allow moisture to enter the viamobil or the battery pack and the control unit.
- Recharge the battery pack of your viamobil as soon as possible after each trip.

10.2 Obstacles

You can traverse obstacles such as kerbs both when driving forward and backward. You do not have to switch off the viamobil for this purpose. Lift the wheelchair by its handles (and not by the handle on the control unit or the additional handle). When driving over kerbs, observe the maximum climbing height specified by the wheelchair manufacturer.

10.3 Danger areas and hazardous situations

The attendant operating the viamobil must decide in each case whether it is safe to use the add-on drive for the intended trip based on issues such as driving experience and physical strength. Before undertaking a trip, check the viamobil wheels for damage and proper inflation. Also, check the battery charge level, the proper operation of the control elements, and the manual brakes on the wheelchair. These safety checks and the experience of the attendant operating the viamobil are of particular importance in connection with the operation of the add-on drive in or near the following danger areas:

- narrow footpaths, steep slopes (e.g. ramps), narrow paths along slopes, mountain paths.
- narrow and/or steep/inclined paths along main roads or near precipices.
- paths covered with leaves, snow or ice.
- ramps and lifting platforms of vehicles.



Use extreme caution when driving along quay walls, berths and marinas, paths and areas near water, bridges and dykes without railings. Never drive too closely to bodies of water.



The viamobil supports slopes and inclines of up to 18 %.

The maximum permissible angle of inclination is 11.5 per cent at a maximum payload of 160 kg. Greater slopes or inclines require that the operator be in a position to prevent the wheelchair from tipping over (in any direction) at all times.

The basic safety requirements include proper tyre profiles, correct wheelchair tyre pressure, firm ground and a maximum load of 160 kg on the wheelchair.

When driving along bends, turning the wheelchair or driving uphill or downhill, the centre of gravity of the wheelchair may be shifted so that there is a risk that the wheelchair may tip over to the side. Therefore, proceed with extreme caution and reduce the speed of the add-on drive!

Special caution is required when crossing main roads, crossroads and level railway crossings! Never push the wheelchair at a small angle over rails, as the wheels could be jammed in the rails!

Proceed with special caution when driving over ramps or lifting platforms of vehicles. Before lifting or lowering the wheelchair on the ramp or lifting platform, switch off the viamobil. Do not actuate the driving lever [19].

Apply the hand brakes of the wheelchair. This prevents the wheelchair from rolling away, for example by inadvertent drive commands.

If the ground is wet, the tyres adhesion may be poor so that there is a risk of slipping. Adjust your driving behaviour accordingly.

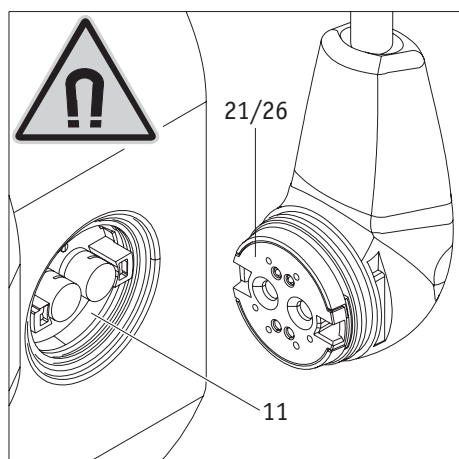
11. Maintenance, care and disposal

11.1 Charging the battery pack

Your viamobil uses power in all operating modes. Avoid fully discharging the battery pack, as this could cause damage to the batteries. We recommend recharging the battery pack immediately after every use.

To charge the battery pack, use only the mains charger supplied with your viamobil. The charging process ends automatically when the battery pack is fully charged. This avoids overcharging.

For detailed instructions regarding the battery pack, see also chapter 5.



11.2 Cleaning and disinfection instructions

When cleaning the device, never use cleaning benzene, thinner, acetone or similar agents. Instead, use only conventional household cleaning agents and disinfectants (isopropyl alcohol).

- Clean the control unit, the push handle, and the battery pack only with a moist (not wet) cloth.
- Clean the bracket attached to the wheelchair with a moist (not wet) cloth.
- Regularly clean the drive wheel using a dry brush or compressed air cleaner.

Check all electrical connections (charger socket / control unit connection [11], plug of the control unit [21], and the charging plug [26]) for possible contamination before assembling them.

The magnetic force generated by the components may cause metal particles such as chips or similar objects to settle on the surfaces of the components, which may result in a short circuit.

Clean the components using a clean and dry, but never wet or moist cloth.

Your viamobil is a low-maintenance device. With the exception of the tyres, the add-on drive does not contain wear parts. To ensure that the drive force and the braking force of your viamobil are transferred properly, the tyres must have an adequate tread pattern.

Disinfection instructions

- Rub off all surfaces on the viamobil and its components using a moist (not wet) cloth.
- Please note that neither the viamobil nor its components may be blasted off with a steam blaster or similar equipment.
- Apply the disinfectant to all surfaces of the viamobil and its components.
- Let the disinfectant soak following the instructions provided by the manufacturer.
- Remove the disinfectant by wiping it off or as prescribed by the manufacturer.



When storing the viamobil for an extended period, you may, in rare cases, experience that visible residue remains and sometimes pressure marks are left behind on carpets or floors (if they are in contact with the tyre), which vary with the respective use of floor detergents or impregnating agents. We do not assume any liability in such cases. We generally recommend that you store the device on hard-wearing floors and, for prolonged storage, on a protective mat or cardboard pad



Should you observe a deterioration of the drive behaviour of your viamobil (e.g. irregular rolling, slipping wheels), contact your authorised specialist dealer or Alber agent to check the tyres.



All service and repair work on the viamobil must be carried out by the manufacturer, an Alber agent or an authorised specialist dealer. If you encounter any problems with your viamobil, contact your authorised specialist dealer or Alber agent.

11.3 Disposal



This device, its battery pack and accessories are durable products.

They may, however, contain substances that are hazardous to the environment, if the parts are disposed of in locations (e.g. landfills) that are not designed for the disposal of such materials according to the applicable statutory regulations.

The product is labelled in accordance with European Directive 2002/96/EC (WEEE Directive) with a "crossed-out rubbish bin" symbol, reminding you that it must be recycled.

Please take care of the environment and return the product at the end of its service life to your local recycling centre.

As this product is not covered by the regulations of the WEEE Directive in all European countries, please inform yourself of the applicable waste disposal regulations in your country.

Alternatively, return the product to your authorised specialist dealer or Alber agent for proper and safe disposal.

11.4 Re-use

If your viamobil has been provided to you by your health insurance company and you do not need it any longer, please contact your health insurer, Alber agent or authorised specialist dealer. Your viamobil can then be given to somebody else.

Before the viamobil is re-used, its safety must be checked. The brackets with which the viamobil is attached to the wheelchair can be easily and quickly removed by the authorised dealer or Alber agent and mounted on another.

Before re-using the viamobil, clean it as described in chapter 12.2 and disinfect the control unit and the housing of the battery pack. To do this, use a product based on isopropyl alcohol that is suitable for wiping disinfection. The product must have an alcohol concentration of 70 %. Observe the use instructions of the product.

11.5 Maintenance

Lawmakers have laid out the execution of safety inspections in the Medical Devices Operator Ordinance (MPBetreibV). Safety inspections (hereinafter referred to as STK) are intended to verify the operation and safety of the product, uncover any defects and, if necessary, initiate steps/repairs that will restore the product to proper working order.

Section 6 of the MPBetreibV stipulates that the manufacturer has to specify an interval at which this STK is to be performed and which must not exceed 2 years with regard to the products listed in appendix 1. Based on our market observations, an interval of 2 years has proven reasonable for products used as mobility aids that are used under normal operating conditions.

This guideline value of 2 years may vary with the product's respective degree of utilisation and the behaviour of the user. Checking the degree of utilisation and the user behaviour is the responsibility of the operator.

In any case, we strongly recommend that you clarify beforehand to what extent the cost of the STK is covered by your health insurance provider, especially with regard to any existing contracts.

12. Warranty and liability

12.1 Warranty for defects

Alber GmbH guarantees that the viamobil is free of defects at the time of delivery. The warranty expires 24 months after the date of delivery of the viamobil.

12.2 Guarantee of durability

Alber GmbH grants a 24-month guarantee of durability for your viamobil. The guarantee of durability shall not apply to:

- Devices whose serial numbers have been tampered with or removed.
- Wear parts such as brakes, tyres and control elements.
- Defects caused by normal wear, incorrect handling including non-compliance with the instructions in this operating manual, accidents, reckless damage, damage caused by fire, water, force majeure and other events that are outside the control of Alber GmbH.
- Parts that may need to be serviced or replaced as part of normal use (e.g. tyre change).
- Device inspection without detection of a fault or defect.

12.3 Liability

Alber GmbH as the manufacturer of the viamobil shall not be liable in cases where

- the viamobil is handled or operated incorrectly.
- the viamobil has not been serviced at the prescribed 2-year intervals by an authorised specialist dealer, Alber agent or Alber GmbH.
- the viamobil has been commissioned in contravention to the instructions in this operating manual.
- the viamobil has been operated with insufficient battery charge.
- the viamobil has been repaired or otherwise modified by a person not authorised to carry out such work.
- third-party parts have been attached to the viamobil.
- parts of the viamobil have been removed.

13. Technical data

Drive unit

Range:	max. 20 km *)
Speed:	Continuously adjustable to max. 5.5 km/h (forward travel) or max. 2.7 km/h (reverse travel)
Slope:	up to 18% incline/slope Maximum safe incline/slope according to DIN EN12184:2009: 15.8 % at a load of 100 kg and 11.5 % at a load of 160 kg.
Maximum weight of user:	160 kg
Motor power rating:	150 Watt
Size (length, width, height)	320 mm x 287 mm x 273 mm (without additional push handles, without anti-tippers)
System number /year of production	see information on the type plate attached to the drive unit

Battery pack

Batteries:	Li-Ion, 6.6 Ah
Rated operating capacity:	36 Volt
Operating temperature:	Ambient temperature range (approx. 25 °C to + 50 °C)

Weight of components

Battery pack:	2.4 kg
Drive unit:	10.3 kg
Control unit:	0.6 kg
Automatic charger:	0.5 kg
Total weight:	13.8 kg

Protection class of all components: IPx4 (protected against splash water)

(*) The range depends on the terrain and the prevailing driving conditions. The specified maximum range is valid for optimum travel conditions (level terrain, fully recharged batteries, ambient temperature around 20 °C, smooth travel, etc.).

We expect that the estimated service life of this product is five years on average provided the product is used as intended and serviced in accordance with all instructions specified in the operating manual. The service life can be extended by handling, servicing, maintaining and using the product with care and if there are no technical limitations that arise from further developments in science and technology. However, the service life may also be shortened significantly by excessive or improper use. The service life required by the applicable standards shall not be deemed an additional guarantee.



The viamobil conforms to the requirements laid down in the European Medical Device Directive 93/42/EEC as well as the applicable sections of standard DIN EN 12184.

We reserve the right to modify the design and technology of our products to incorporate the latest developments.

Automatic charger

For technical information and user instructions, please refer to the separate operating manual of the battery charger.

System label

Systemnr./System No.	V25154568		Alber GmbH
Modell [Model]	V25		72461 Albstadt
Max. Pers. Gewicht [Max. occ. weight]	160 kg		Made in Germany
Betriebsspannung [Rated Voltage]	36 V		2015-10
Max. Geschwindigkeit [Max. Speed]	5.5 km/h		
Motor Nennleistung [Rated Power]	150 W		

When in need of repairs, include the system number noted on the type plate. The type plate is located in the area below the battery pack, which you can remove from the viamobil as described in chapter 4.3.

This operating manual is available for download on our website at www.alber.de. If you require a version that is written in a larger font, contact our Alber Service Center.

Ihre Alber-Vertretung / Your Alber representative / Votre représentation Alber /
Sizin Alber-Temsilci / Su representación Alber / Din Alber representant /
Din Alber-agenturene / Uw distributeur Alber / Deres Alber-repræsentation



Alber GmbH

Vor dem Weißen Stein 21
72461 Albstadt-Tailfingen

Telefon +49 (0)7432 2006-0

Telefax +49 (0)7432 2006-299

info@alber.de

www.alber.de